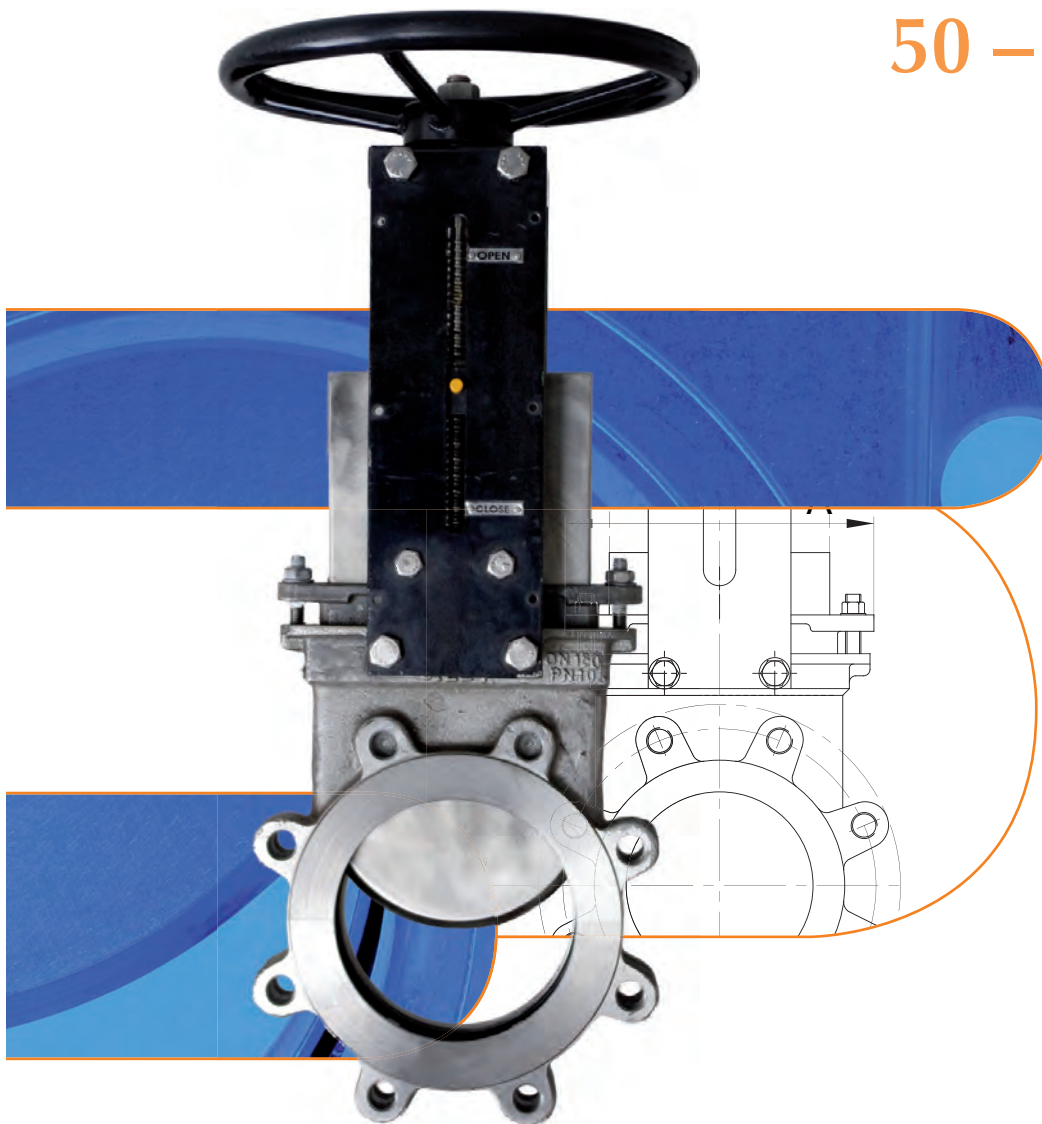


Valves

# Shut-Off Valves of cast stainless steel or spheroidal graphite iron

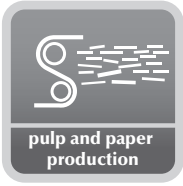
**EGNA / GGNA**

**50 – 600 mm**



MARTIN LOHSE GmbH  
Unteres Paradies 63 · D-89522 Heidenheim  
Postfach 1565 · D-89505 Heidenheim  
phone +49(0)7321 / 755-42 · fax +49(0)7321 / 755-97  
server.ab@lohse-gmbh.de  
www.lohse-gmbh.de

## Applications



### Paper and chemical industry

LOHSE-shut-off valves constructed with corrosion and acid resistant stainless steel.

The EGNA shut-off-valves find a use in waste water treatment plants and the need to use expensive isolation appliances against contact corrosion is not longer required.

The GGNA shut-off-valves are sturdy and have a long service life. They are suitable to shut-off the pipes in all areas of water, waste water or pulp where stainless steel shut-off-valves are not necessary.



### Industrial sewage treatment

LOHSE shut-off-valves used in all areas of the industrial sewage treatment.

The housing of GGNA shut-off-valves is epoxy coated and has a good protection against corrosion.

LOHSE-EGNA shut-off valves constructed with corrosion and acid resistant stainless steel. They find a use in waste water treatment plants and the need to use expensive isolation appliances against contact corrosion is not longer required.



### Waste technology

LOHSE shut-off-valves find a use in bio-mechanical wet treatment plant to shut-off the pipes with high-viscosity, low-viscosity and aggressive medium. The valves are running without problems although the medium has impurities and fibers.



### Biogas Industry

In biogas plants LOHSE shut-off-valves find a use to shut-off the input pipes with high-viscosity, low-viscosity and aggressive medium e.g. silage, dung, liquid manure, vegetables and food and suspensions of this. These valves are tolerant against impurities.

### Special models

For special application, we can supply special valves on request.

## Construction

### Housing

- solid monobloc housing - wafer
- lug design
- full opening
- one-sided sealing
- infused guidances
- type GGNA: epoxy coating

### Valve plate

- solid version of stainless steel  
(type EGNA: corrosion and acid resistant)

### Body seat

- metal seated or
- soft seated with EPDM, NBR, VITON, PTFE (replaceable)

### Packing

- PTFE impregnated synthetic fiber

### Operating elements

- handwheel with non-rising stem
- pneumatic cylinder, double-acting
- electric drive
- bevel gear drive

### Watertight

- Leak test according to DIN EN 12266-02:2012-04  
Table A5, test medium liquid, leakage rate A

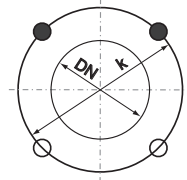
## Materials

- housing  
Type EGNA:1.4408  
Type GGNA: EN-JS1050 / GGG50, epoxy coated
- valve plate  
1.4404 / 1.4301
- sealing  
EPDM / NBR  
optional:  
metal, NBR / EPDM, VITON, PTFE
- packing  
PTFE impregnated synthetic fiber
- stuffing box gland  
Type EGNA:1.4408  
Type GGNA: EN-JS1050 / GGG50
- bracket  
epoxy coated steel
- protection guard  
epoxy coated steel
- max. operating pressure
 

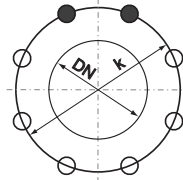
DN 50 – 200	10 bar
DN 250	8 bar
DN 300 – 350	6 bar
DN 400 – 500	4 bar
DN 600	3 bar
- max. operating temperature with sealing of
 

metal	120° C
NBR	105° C
EPDM	120° C
Viton	200° C
PTFE	230° C

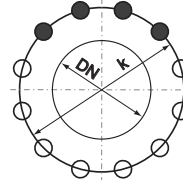
Flange bores for LOHSE EGNA/GGNA-valves according to DIN EN 1092-1, PN 10



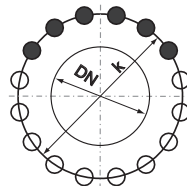
DN 50-65



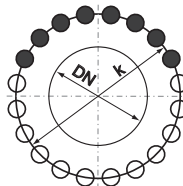
DN 80-200



DN 250-300

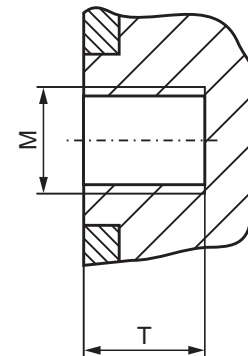


DN 350-400



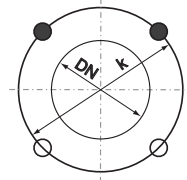
DN 450-600

DN [mm]	K [mm]	Z	M	T [mm]	Z1	Z2
50	125	4	M16	9	2	2
65	145	4	M16	9	2	2
80	160	8	M16	9	2	6
100	180	8	M16	9	2	6
125	210	8	M16	10	2	6
150	240	8	M20	10	2	6
200	295	8	M20	12	2	6
250	350	12	M20	12	4	8
300	400	12	M20	12	4	8
350	460	16	M20	15	6	10
400	515	16	M24	15	6	10
450	565	16	M24	15	6	10
500	620	20	M24	20	8	12
600	725	20	M27	20	8	12

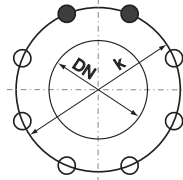


Z = total numbers of holes  
 Z1 = number of joint-holes  
 Z2 = number of through-going bores  
 T = usable depth of thread

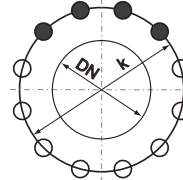
Flange bores for LOHSE EGNA/GGNA-valves according to ANSI B 16.5 Class 150



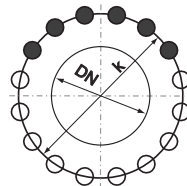
DN 50-65  
(2"-2,5")



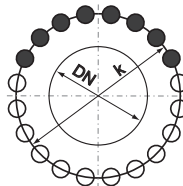
DN 80-200  
(3"-8")



DN 250-300  
(10"-12")

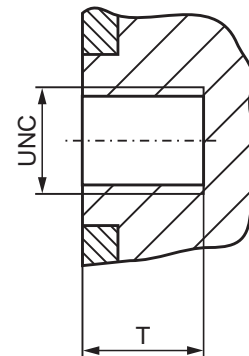


DN 350-400  
(14"-16")



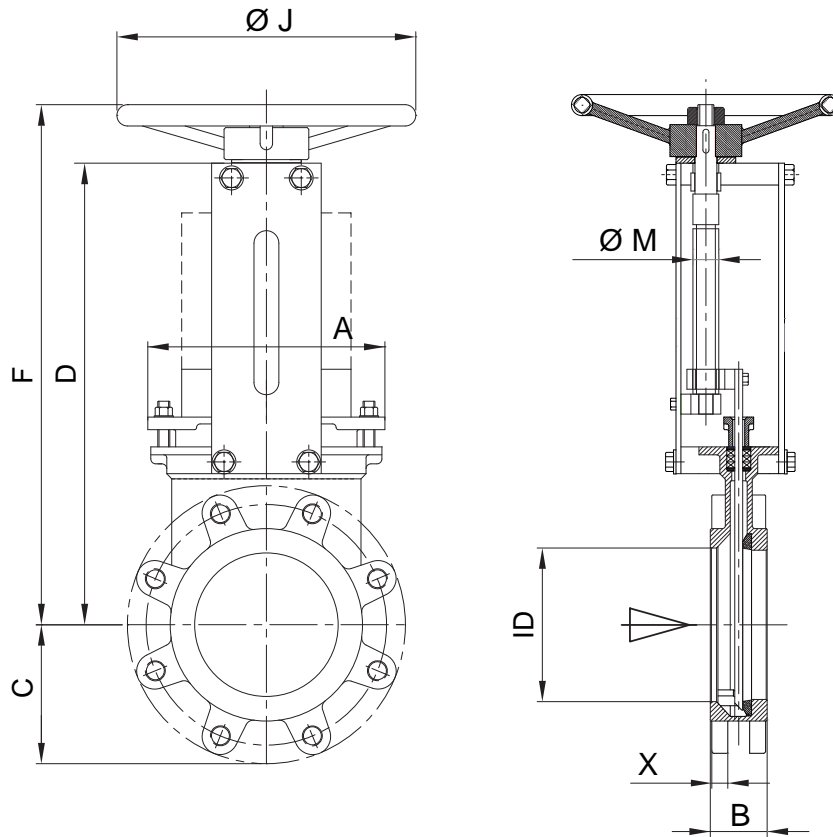
DN 450-600  
(18"-24")

DN [mm]	DN [inch]	K [mm]	K [inch]	Z	UNC	T [mm]	T [inch]	Z1	Z2
50	2	120.5	4 3/4	4	5/8"-11	9	11/32	2	2
65	2,5	140	5 1/2	4	5/8"-11	9	11/32	2	2
80	3	152.5	6	8	5/8"-11	9	11/32	2	6
100	4	190.5	7 1/2	8	5/8"-11	9	11/32	2	6
125	5	215.9	8 1/2	8	3/4"-10	10	3/8	2	6
150	6	241.3	9 1/2	8	3/4"-10	10	3/8	2	6
200	8	298.5	11 3/4	8	3/4"-10	12	15/32	2	6
250	10	362	14 1/4	12	7/8"-9	12	15/32	4	8
300	12	432	17	12	7/8"-9	12	15/32	4	8
350	14	476	18 3/4	16	1"-8	15	19/32	6	10
400	16	540	21 1/4	16	1"-8	15	19/32	6	10
450	18	578	22 3/4	20	1 1/8"-7	15	19/32	8	12
500	20	635	25	20	1 1/8"-7	20	13/16	8	12
600	24	749.5	29 1/2	20	1 1/4"-7	20	13/16	8	12



Z = total numbers of holes  
 Z1 = number of joint-holes  
 Z2 = number of through-going bores  
 T = usable depth of thread

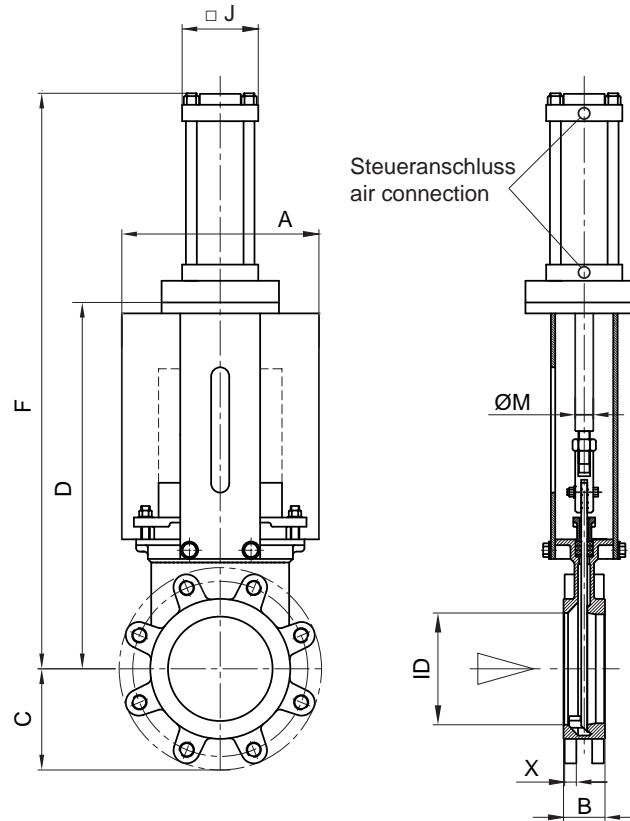
EGNA Cast stainless steel valve / GGNA spheroidal graphite iron valve  
handwheel with non-rising stem



DN	PS [bar]	ID	A	B	C	D	F	$\text{Ø J}$	X	$\text{Ø M}$	weight ~[kg]
50	10	51	133	48	80	285	335	200	16	19	11.1
65	10	63.5	146	48	95	320	370	200	16	19	12.8
80	10	77	156	51	100	343	393	200	16	19	13.3
100	10	102	192	51	115	401	451	200	16	19	16.9
125	10	127	222	57	129	450	510	300	20	19	21
150	10	150	238	57	140	488	548	300	20	26	26.2
200	10	203	269	70	173	600	660	300	20	26	35.54
250	8	254	326	70	205	715	785	400	22	26	54.8
300	6	305	390	76	245	830	900	400	22	32	74.3
350	6	337	420	76	270	900	970	400	27	36	96.8
400	4	388	505	89	300	1020	1130	500	27	36	143.5
450	4	438	593	89	340	1165	1275	500	27	36	215
500	4	489	663	114	355	1270	1380	500	27	36	280
600	3	591	782	114	415	1490	1600	500	30	36	310

Dimensions in mm, flange dimensions to DIN EN 1092-1, PN 10 or ANSI B 16.5 Class 150.  
Further sizes on request.

EGNA Cast stainless steel valve / GGNA spheroidal graphite iron valve  
pneumatic cylinder and protection guard

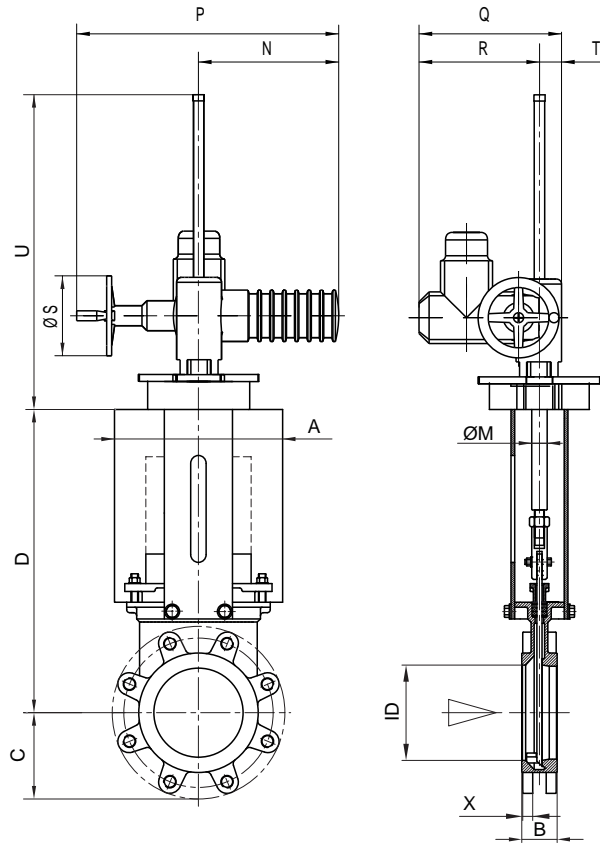


DN	PS [bar]	ID	A	B	C	D	F	J	Ø M	X	air connection	cyl Ø	weight ~[kg]
50	10	51	143	48	80	312	530	92	19	16	G 3/8"	80	15
65	10	63.5	156	48	95	337	570	92	19	16	G 3/8"	80	16.8
80	10	77	166	51	100	368	620	92	19	16	G 3/8"	80	17.5
100	10	102	202	51	115	430	720	109	19	16	G 1/2"	100	22.6
125	10	127	232	57	129	453	765	109	19	20	G 1/2"	100	27
150	10	150	248	57	140	514	875	140	26	20	G 1/2"	125	35.5
200	10	203	279	70	173	670	1110	175	26	20	G 3/4"	160	55
250	8	254	336	70	205	788	1275	175	26	22	G 3/4"	160	75
300	6	305	400	76	245	873	1410	220	32	22	G 3/4"	200	126
350	6	337	430	76	270	960	1535	220	36	27	G 3/4"	200	152
400	4	388	515	89	300	1070	1710	290	36	27	G 3/4"	250	204
450	4	438	603	89	340	1192	1880	290	36	27	G 3/4"	250	280
500	4	489	373	114	355	1285	2055	330	36	27	G 3/4"	300	357
600	3	591	792	114	415	1525	2395	330	36	30	G 3/4"	300	410

Dimensions in mm, flange dimensions to DIN EN 1092-1, PN 10 or ANSI B 16.5 Class 150.  
Further sizes on request.



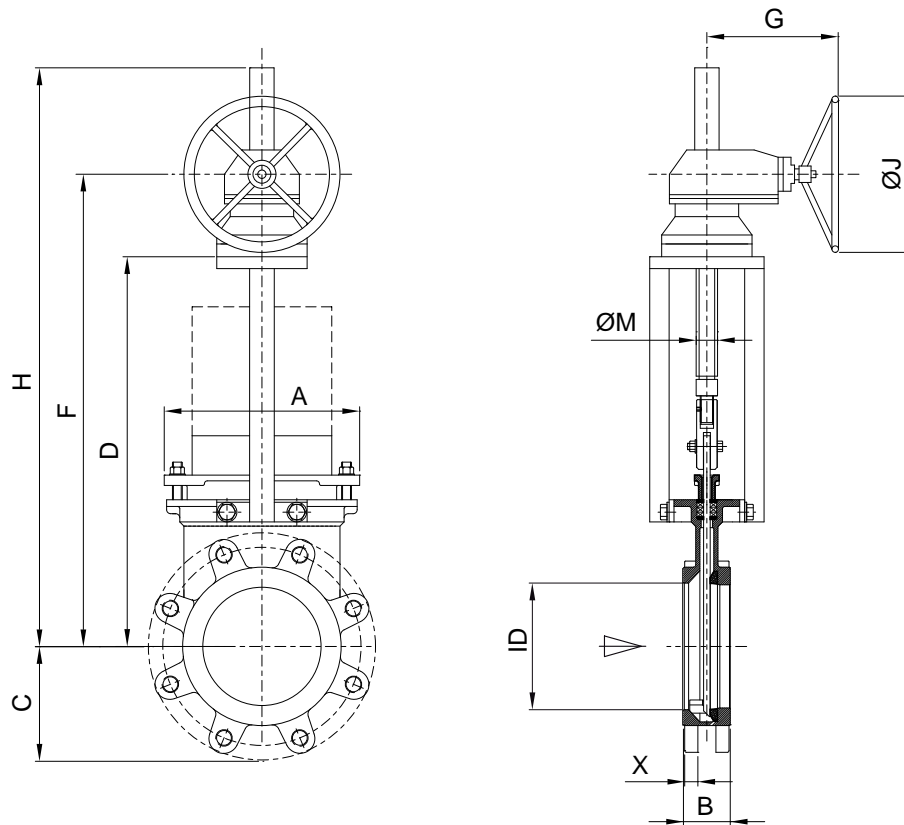
EGNA Cast stainless steel valve / GGNA spheroidal graphite iron valve  
electric drive and protection guard



DN	PS [bar]	ID	A	B	C	D	Ø M	N	P	Q	R	ØS	T	U	X	closing time [s]	weight ~[kg]
50	10	51	143	48	80	284	19	265	515	349	238	160	62	333	16	19,4	44
65	10	63.5	156	48	95	315	19	265	515	349	238	160	62	333	16	25,2	46
80	10	77	166	51	100	340	19	265	515	349	238	160	62	333	16	30,8	46.5
100	10	102	202	51	115	400	19	265	515	349	238	160	62	333	16	32,4	50
125	10	127	232	57	129	430	19	265	515	349	238	160	62	333	20	36,0	54
150	10	150	248	57	140	465	26	265	515	349	238	160	62	333	20	42,5	59
200	10	203	279	70	173	560	26	283	536	373	248	200	65	345	20	47,6	68.5
250	8	254	336	70	205	660	26	283	536	373	248	200	65	345	22	58,9	88
300	6	305	400	76	245	770	32	283	536	373	248	200	65	438	22	70,3	107
350	6	337	430	76	270	860	36	283	536	389	248	200	65	443	27	79,4	130
400	4	388	515	89	300	992	36	283	536	393	248	200	65	543	27	92,1	214.5
450	4	438	603	89	340	1120	36	283	536	436	248	200	65	608	27	103,5	286
500	4	489	673	114	355	1260	36	389	725	436	286	315	91	608	27	114,4	351
600	3	591	792	114	415	1475	36	389	725	446	286	315	91	708	30	85,8	381

Dimensions in mm, flange dimensions to DIN EN 1092-1, PN 10 or ANSI B 16.5 Class 150.  
Further sizes on request.

EGNA Cast stainless steel valve / GGNA spheroidal graphite iron valve  
bevel gear box and handwheel



DN	PS [bar]	ID	A	B	C	D	F	G	H	Ø J	Ø M	X	weight ~[kg]
50	10	51	133	48	80	284	356	248	385	200	19	16	27.1
65	10	63.5	146	48	95	315	387	248	415	200	19	16	28.8
80	10	77	156	51	100	340	415	248	480	200	19	16	29.3
100	10	102	192	51	115	400	472	248	540	200	19	16	32.9
125	10	127	222	57	129	430	502	248	595	200	19	20	37
150	10	150	238	57	140	465	537	273	675	300	26	20	42.4
200	10	203	269	70	173	560	632	273	830	300	26	20	51.74
250	8	254	326	70	205	660	732	273	980	300	26	22	71
300	6	305	390	76	245	770	842	273	1140	300	32	22	90.5
350	6	337	420	76	270	860	932	273	1260	400	36	27	113
400	4	388	505	89	300	992	1064	273	1465	400	36	27	160
450	4	438	593	89	340	1120	1292	273	1640	400	36	27	231.5
500	4	489	663	114	355	1260	1332	273	1830	400	36	27	296.5
600	3	591	782	114	415	1475	1547	273	2150	400	36	30	326.5

Dimensions in mm, flange dimensions to DIN EN 1092-1, PN 10 or ANSI B 16.5 Class 150.  
Further sizes on request.

## Germany + Switzerland

**MARTIN LOHSE GmbH**  
Postfach 1565  
89505 Heidenheim  
Phone: +49 (0) 73 21 / 7 55-0  
Fax: +49 (0) 73 21 / 7 55-99  
server.ab@lohse-gmbh.de  
www.lohse-gmbh.de

## Australia, New Zealand, Indonesia, Singapore, Malaysia

**P.T. VOITH PAPER**  
Jl. Permata V Lot EE - 1  
Kawasan Industri KIIC  
Karawang 41361, INDONESIA  
Phone : +62 267 419 719  
Fax : +62 267 419 717

## Austria (pulp + paper industry, wastewater + wastewater treatment plants) + CZ, SK, SLO, SRB, HR, H

**Peter Reiter**  
Handel Mazzetti-Str. 85  
3100 St. Pölten  
Phone: +43 (0) 27 42 / 7 73 66  
Fax: +43 (0) 27 42 / 7 73 66  
fa.reiter@aon.at

## Austria

**Klinger Gebetsroither GmbH & Co KG**  
Am Kanal 8-10  
2352 Gumpoldskirchen  
Phone: +43 2252 60 71 00 3029  
Fax: +43 2252 60 71 00 3010  
gerhard.praxmarer@gebetsroither.at  
www.gebetsroither.at

## Belgium

**Hanwel Belgium N.V.**  
Winninglaan 15  
9140 Temse  
Phone: +32 (0) 3 / 7 11 03 53  
Fax: + 32 (0) 3 / 7 11 05 79  
info@hanwel.be  
www.hanwel.be

## Chile

**INTERTECH**  
Prat 116, Of 31  
Curicó, Chile  
phone +56.075.322033  
www.inter-tech.cl  
n.flores@inter-tech.cl

## People's Rep. Of China

**Shanghai Fier Mechanical Co. LTD**  
Room B4, 15/F HuaFu Bldg.  
No. 585 LongHua xi Rd.  
ShangHai, China 200232  
Phone: +86-21-54591038  
Fax: +86-21-54240616  
MP: 13611665381  
shfier@163.com  
www.fier.com.cn

## Denmark

**Uni-Valve A/S**  
Sydvestvej 138 – 140  
2600 Glostrup  
Phone: +45 (0) 43 43 82 00  
Fax: +45 (0) 43 43 74 75  
mail@uni-valve.com  
www.uni-valve.com

## Finland

**Klinger Finland Oy**  
**Aseko**  
Tinankuja 3  
02430 Masala  
Phone: +358 (0) 10 400 10 12  
Fax: +358 (0) 10 400 12 00  
info@aseko.fi  
www.aseko.fi

## France, MA, TN, DZ

**T.N.P.**  
30 avenue Galliéni  
94100 Saint-Maur  
Phone: +33 (0) 1 / 55 97 11-11  
Fax: +33 (0) 1 / 48 83 52 07  
contact@tnp.fr  
www.tnp.fr

## Great Britain

**Voith Turbo Ltd.**  
6 Beddington Farm Road  
Croydon, Surrey CRO, 4XB  
Phone: +44 (0) 2 08 / 6 67 30 13  
Fax: +44 (0) 2 08 / 6 67 04 03  
matthew.healy@voith.com

## Greece

**Niko Mikopoulos, BSc.**  
Metron Str. 28  
17123 Nea Smyrni-Athens  
Phone: +30 6 98 305 10 70  
n.mikopoulos@nm-bc.com

## India

**Antrieb Technik Private Limited**  
59 (old 359) Sidco Industrial Estate  
Ambattur  
Chennai-600 098  
Tamilnadu / INDIA  
Phone: +91 (44) 262 – 58303  
Fax: +91 (44) 2819 – 3718  
antrieb.technik@gmail.com

## Israel

**P.B.A Wiesner Agencies Ltd.**  
P. O. Box 4622  
Petach-Tikva 49277  
Phone: +972 (0) 3 / 9 05 21 11  
Fax: +972 (0) 3 / 9 05 21 10  
ofra@pba.co.il

## Italy

**Techno Paper S.R.L.**  
Viale Certosa 269  
20151 Milano (MI)  
Phone: +39 (0) 02 78627750  
Fax: +39 (0) 02 45471638  
info@techno-paper.com  
www.techno-paper.com

## Japan

**Voith IHI Paper Technology Co.Ltd.**  
River City M-SQUARE 7F  
2-1-6 Tsukuda, Chuo-ku  
1040051 Tokyo  
Phone: +81 3 6221 3108  
Fax: +81 3 6221 3126

## Korea

**C.S-Automation Co., Ltd. (Customer Satisfaction Automation)**  
#804 Sejung Technovalley  
279-5 Songjeong-Dong  
Heungdeok-Gu  
Cheongju-Si  
South Korea. 361-290  
Phone: +82 43 276 1332  
Fax: +82 43 278 1332  
changseol@korea.com

## Netherlands

**Hanwel B. V.**  
Jan Tinbergenstraat 209  
7559 SP Hengelo  
The Netherlands  
Phone: +31 74-2650000  
Fax: +31 74-2650001  
verkoop@hanwel.com  
www.hanwel.com

## Norway

**KSB Norge AS**  
Haugenveien 29  
1400 SKI  
Phone: +47 96 900 900  
firmapost@ksb.com  
www.ksb.com/ksb-no

## Philippines

**R. Dan and Co., Inc.**  
20 Alfonso St.  
Rosario  
Pasig City 1609  
Phone: +632 – 6558796  
Fax: +632 – 6562089  
ester.poe@robertdan.com.ph  
www.robertdan.com.ph

## Poland

**Waldemar Kulicki**  
ul. Heweliusza 37/4  
87-148 Papowo Toruńskie  
Phone: +48 56 / 6783399  
Fax: +48 56/ 6783880  
waldemar-kulicki@wp.pl  
www.wkulicki.eu

## Rep. of South Africa

**Voith Turbo (Pty) Ltd**  
P.O. Box 13171  
Witfield, 1467  
Gauteng, SOUTH AFRICA  
Phone: +27 11 418 4000  
Fax: +27 11 418 4080  
info.vtza@voith.com  
www.rsa.voithturbo.com

## Spain, Portugal

**CELPAP EQUIPOS, S.L.**  
C/Amposta, 14-18  
08174 Sant Cugat del Vallés  
(Barcelona)  
Phone +34 93 415 18 75  
celpap@celpap.com  
www.celpap.com

## Sweden

**PA-Ventiler AB**  
Sagbäcksvägen 3B  
43736 Lindome  
Phone: +46 (0) 31 / 99 25 00  
Fax: +46 (0) 31 / 99 25 03  
info@paventiler.se  
www.paventiler.se

## Taiwan

**E-Chen Engineering Co., Ltd.**  
3F-3, No. 151, Sec. 4,  
Hsin-Yi Road,  
Taipei, Taiwan, R.O.C.  
Phone: +886 (0) 22 / 7056185  
Fax: +886 (0) 22 / 7 04 59 67  
echen123@ms15.hinet.net

## Thailand

**Weston Myer Ltd.**  
8 Soi Seri-Thai 58  
Seri-Thai Road  
10510 Minburi Bangkok  
Phone: +66 (0) 2 / 3 74 58 69  
Fax: +66 (0) 2 / 3 75 – 11 79  
comm1@westonmyer.com

## Turkey

**Sanrep Kağıt San. ve Tic. Ltd. Şti.**  
Altıyol, Kuşdili Caddesi No:19/7  
H.Fazlıoğlu İş Merkezi  
34714 Kadıköy – İSTANBUL  
Phone: +90 216 345 40 48  
Fax: +90 216 330 73 12  
sanrep@sanrep.com  
www.sanrep.com

## USA, Canada, Mexico

**Voith Paper Inc.**  
2200 N. Roemer Rd.  
Appleton, WI 54912-2237  
Phone: +1 (0) 920 – 358 – 2486  
Fax: +1 (0) 920 – 221 – 8904  
igor.figureira@voith.com