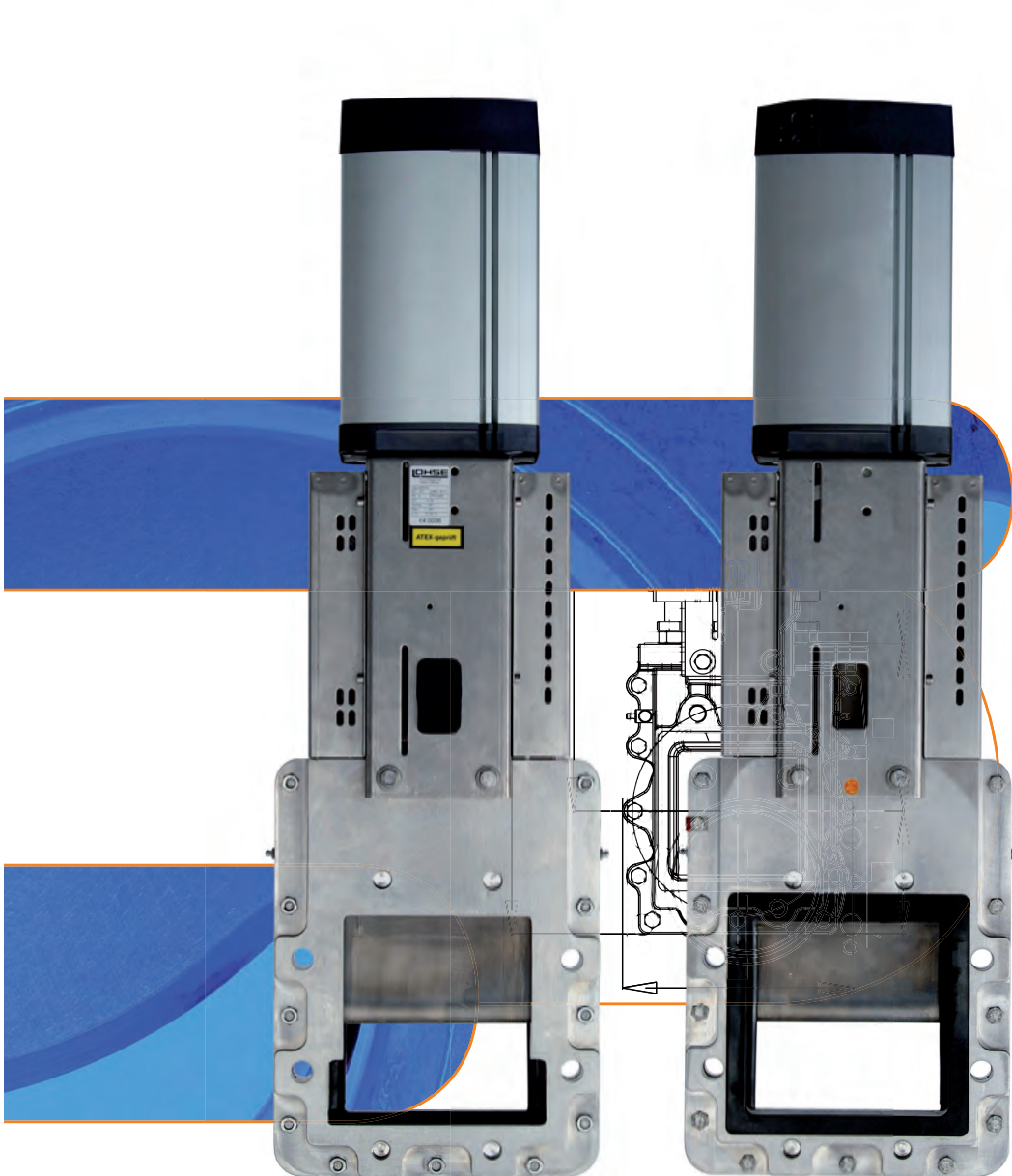


Valves

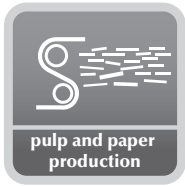
# Reject-Valves

## AEQP/G



MARTIN LOHSE GmbH  
Unteres Paradies 63 · D-89522 Heidenheim  
Postfach 1565 · D-89505 Heidenheim  
phone +49(0)7321 / 755-42 · fax +49(0)7321 / 755-97  
server.ab@lohse-gmbh.de  
www.lohse-gmbh.de

## Applications



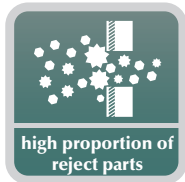
### General usage

- media with reject fraction (e.g. nails and staples)
- coarse-grained media
- granulates
- powders
- temperature range to 80 °C
- see table for permitted operating pressure

### Locations

- extraction devices for heavy soiling applications
- dumping and emptying devices for heavy soiling applications
- cleaning machines

## Media



## Accessories

### On the inlet side:

stainless steel intermediate flange, allows connection to round DIN EN 1092-1, PN 10 pipes or to locks (approx. 20 mm thick, drilled for both flange patterns)

### On the outlet side:

stainless steel adapter, square to round, allows outlet to be continued on round DIN EN 1092-1, PN 10 pipes

### Options:

- holding parts and switching sensors for limit switches, suitable for all common types of limit switch
- solenoid valve attached directly to the pneumatic cylinder
- housing and valve plate in other materials (as required by customer)

## Features

### Rectangular model

- free passage when opened
- the outlet is larger than the inlet, allowing unwanted materials to fall out freely
- braking of a rotation in progress

### Valve plate

- highly wear-resistant version made from hardened stainless steel
- prepared so that switch sensors may be connected for limit position monitoring

### Valve plate guide

- the guides in the front third are shortened, i.e. the valve plate guarantees a clearance
- replaceable sliding rails made from bronze

### Sealing frame

- protects the sliding plate and sliding plate guide
- low-wear, material: SBR
- plug-in connection system makes replacement easy
- 2-in-1 system:
  1. flow seal
  2. flange seal (no additional flange seal required)

### Watertight

- Leak test according to DIN EN 12266-02:2012-04 Table A5, test medium liquid, leakage rate A

## Materials

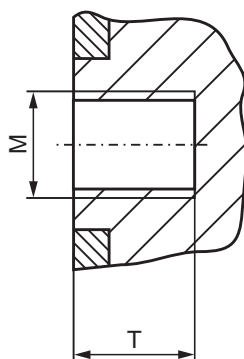
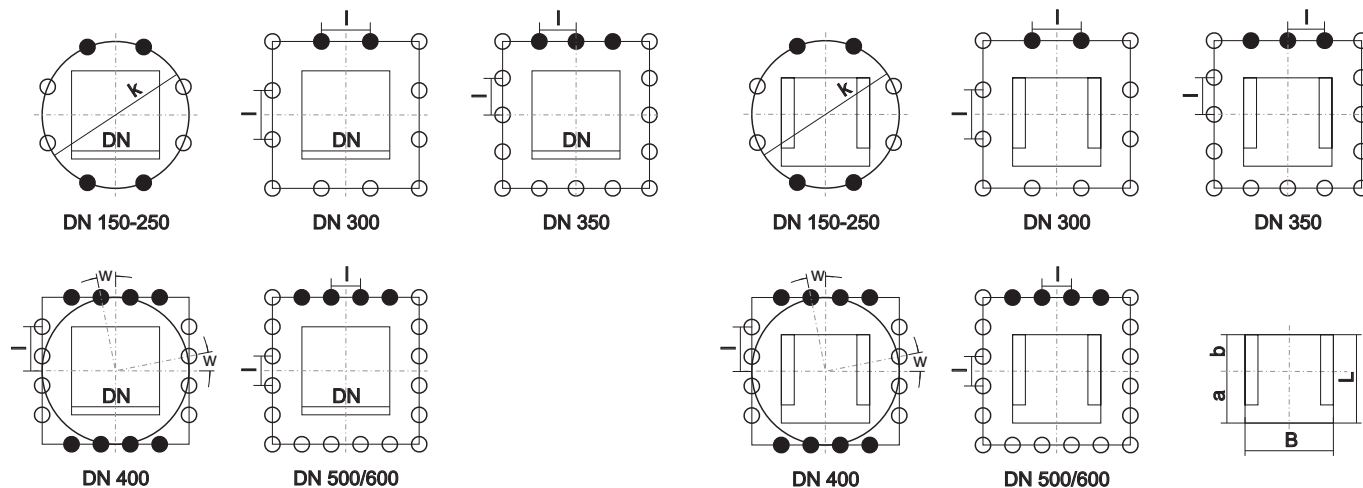
- housing EN-GJL-250 (GG 25)  
or  
1.4571
- valve plate 1.4571 hardened
- sealing frame SBR
- slide borders CuAl10Ni5Fe4
- packing assembly Arostat / EPDM
- bracket 1.4301
- max. operating pressure
 

DN 50 – 250	8 bar
DN 300	4 bar
DN 350 – 600	2 bar
- max. operating temperature 80° C

Flange bores for LOHSE AEQ-valves with metric thread according to LOHSE standard

Inlet site

Outlet site

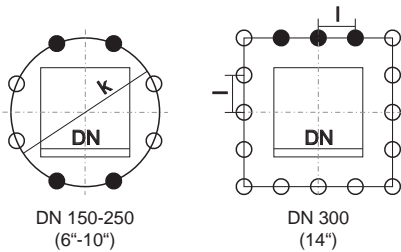


- Z = total number of holes
- Z1 = number of joint-holes
- Z2 = number of through-going bores
- T = usable depth of thread

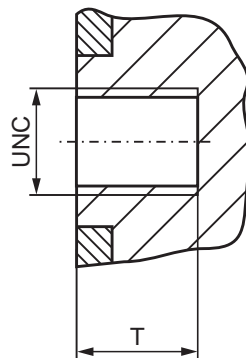
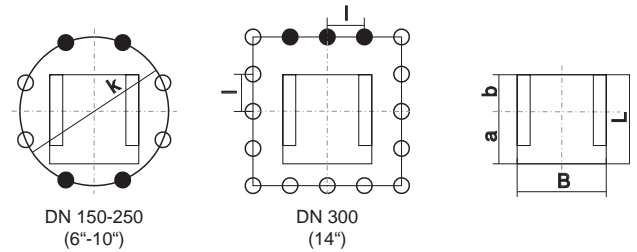
DN [mm]	K [mm]	Z	M	T [mm]	Z1	Z2	l [mm]	w [°]	L [mm]	B [mm]	a [mm]	b [mm]
150	240	8	M20	18	4	4			156	167	83	73
200	295	8	M20	20	4	4			211	222	111	100
250	350	8	M20	22	4	4			260	270	135	125
300		12	M20	24	2	10	129		317	335	167	150
350		16	M20	26	3	13	110		367	385	192	175
400	515	16	M24	24	8	8	170	11,25	418	437	218	200
500		20	M24	34	4	16	121		520	540	270	250
600		20	M27	35	4	16	143		620	640	320	300

Flange bores for LOHSE AEQ-valves with UNC thread according LOHSE standard

Inlet side



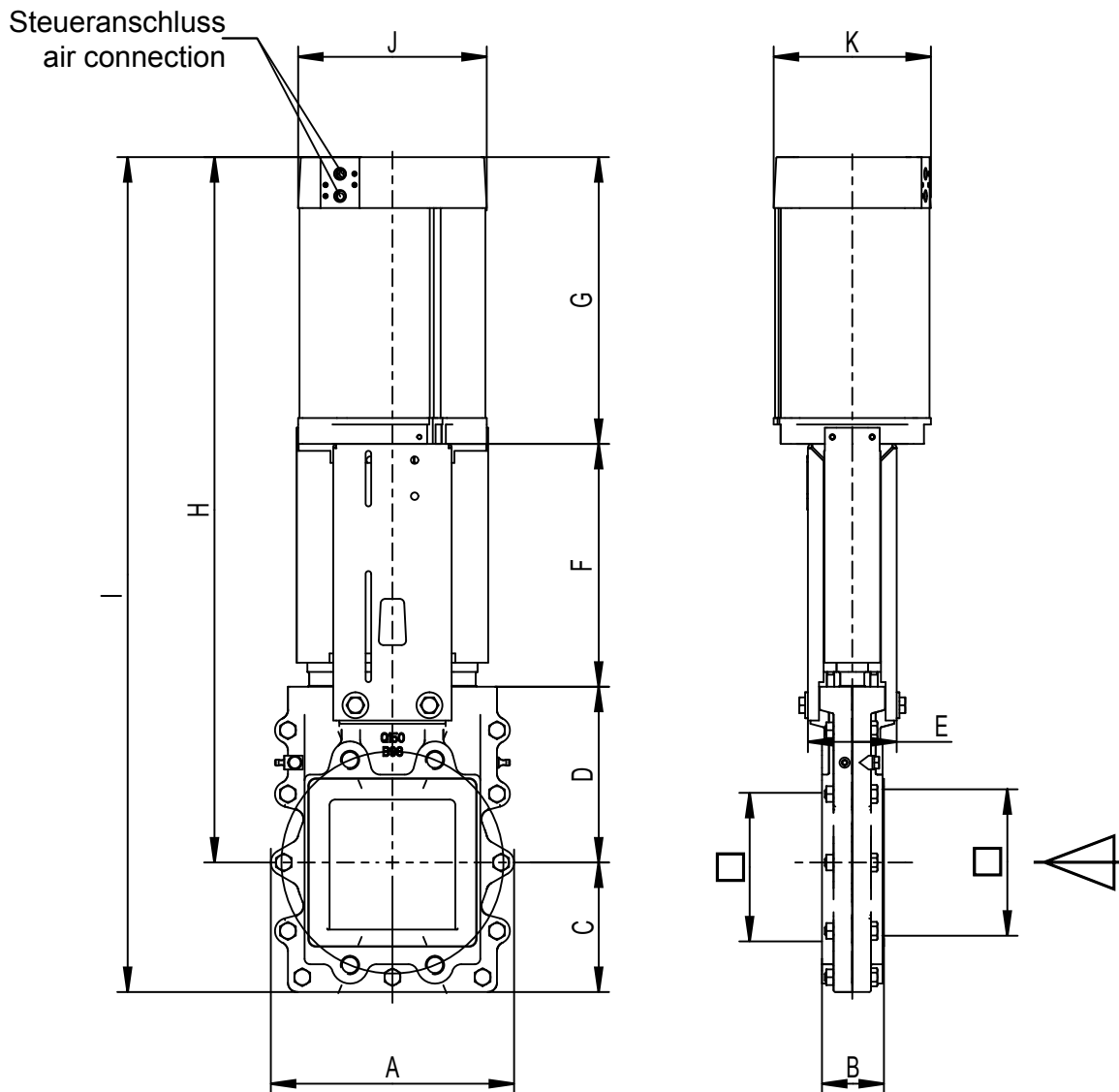
Outlet side



- Z = total number of holes
- Z1 = number of joint-holes
- Z2 = number of through-going bores
- T = usable depth of thread

DN [mm]	K [inch]	Z	UNC [inch]	T [inch]	Z1	Z2	l [inch]	w [°]	L [mm]	B [mm]	a [mm]	b [mm]
150	9 1/2	8	3/4	11/16	4	4			156	167	83	73
200	11 3/4	8	3/4	3/4	4	4			211	222	111	100
250	14 1/4	8	7/8	7/8	4	4			260	270	135	125
300		16	1	1	3	13	4 5/16		317	335	167	150

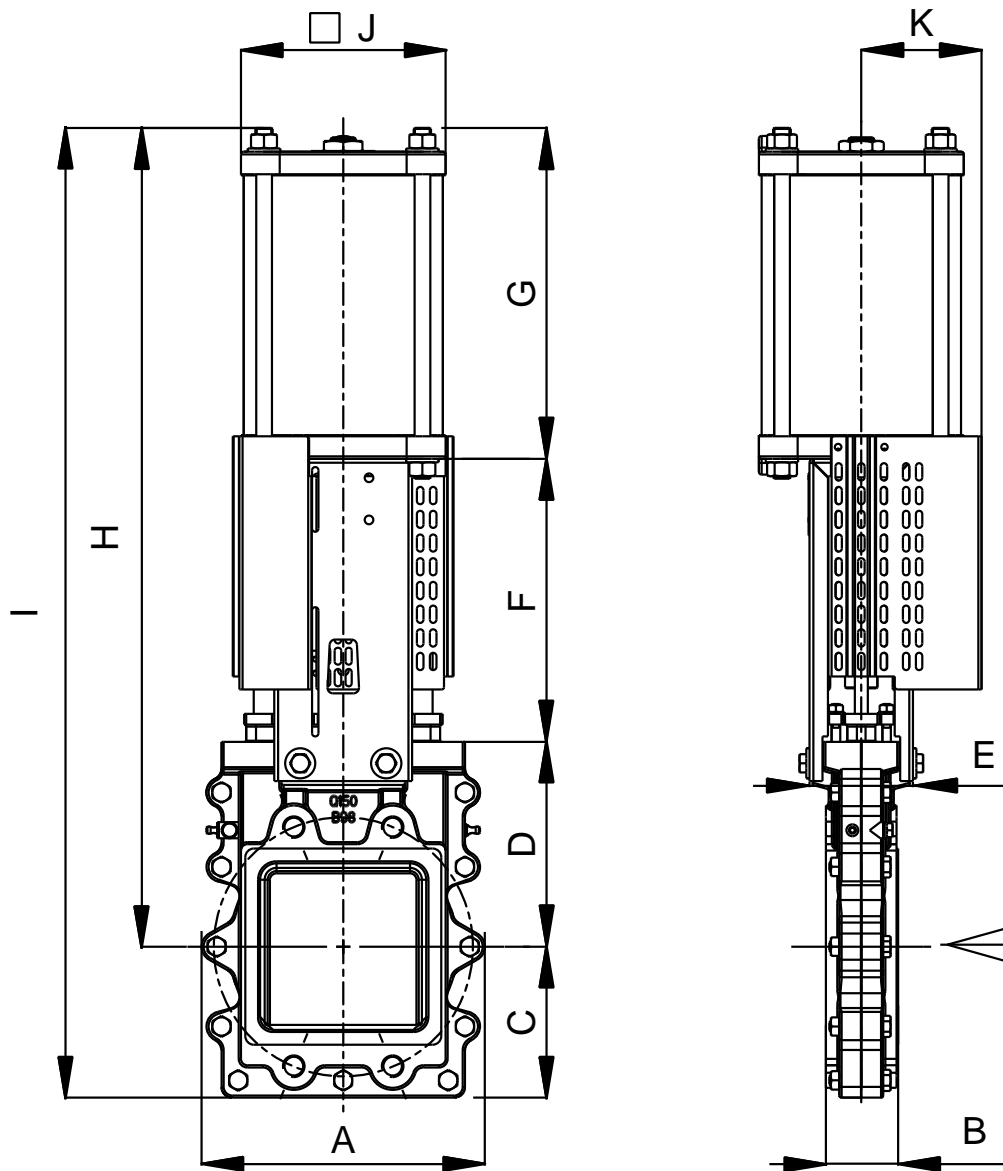
Reject-valve  
 square in- and outlet  
 pneumatic cylinder and protection guard  
 Housing EN-GJL-250 or stainless steel



DN	PS [bar]	A	B	C	D	E	F	G	H	I	J	K	cyl Ø	air con- nection	weight ~[kg]	
															EN- GJL-250	stainless steel
100	8	210	50	110	170	96	207	253	630	740	165	145	125	G 1/4"		
150	8	263	67	140	190	96	263	310	763	903	204	178	160	G 1/4"	43.4	45.4
200	8	330	71	165	260	120	310	388	958	1123	244	215	200	G 1/2"		76.4
250	8	390	81	195	270	120	362	433	1065	1260	244	211	200	G 1/2"	88	87
300	4	470	81	235	340	120	419	515	1274	1509	242	283	230	G 1/2"	140	140

Dimensions in mm, flange bores on request; air connection acc. VDI/VDE 3845 (NAMUR).  
 Further sizes on request.

Reject-valve  
 square in- and outlet  
 pneumatic cylinder and protection guard  
 Housing EN-GJL-250 or stainless steel



DN	PS [bar]	A	B	C	D	E	F	G	H	I	J	K	cyl Ø	air con- nection	weight ~[kg]	
															EN- GJL-250	stainless steel
350	2	510	92	260	365	160	509	571	1445	1705	318	144	300	G 1/2"		
400	2	570	92	285	410	160	608	621	1639	1924	318	318	300	G 1/2"	243	250
500	2	690	112	345	510	182	735	721	1966	2311	318	318	300	G 1/2"	397	408
600	2	770	111	400	570	161	850	889	2309	2709	425	425	400	G 3/4"	572	572

Dimensions in mm, flange bores on request.  
 Further sizes on request.

## Germany + Switzerland

**MARTIN LOHSE GmbH**  
Postfach 1565  
89505 Heidenheim  
Phone: +49 (0) 73 21 / 7 55-0  
Fax: +49 (0) 73 21 / 7 55-99  
server.ab@lohse-gmbh.de  
www.lohse-gmbh.de

## Australia, New Zealand, Indonesia, Singapore, Malaysia

**P.T. VOITH PAPER**  
Jl. Permata V Lot EE - 1  
Kawasan Industri KIIC  
Karawang 41361, INDONESIA  
Phone : +62 267 419 719  
Fax : +62 267 419 717

## Austria (pulp + paper industry, wastewater + wastewater treatment plants) + CZ, SK, SLO, SRB, HR, H

**Peter Reiter**  
Handel Mazzetti-Str. 85  
3100 St. Pölten  
Phone: +43 (0) 27 42 / 7 73 66  
Fax: +43 (0) 27 42 / 7 73 66  
fa.reiter@aon.at

## Austria

**Klinger Gebetsroither GmbH & Co KG**  
Am Kanal 8-10  
2352 Gumpoldskirchen  
Phone: +43 2252 60 71 00 3029  
Fax: +43 2252 60 71 00 3010  
gerhard.praxmarer@gebetsroither.at  
www.gebetsroither.at

## Belgium

**Hanwel Belgium N.V.**  
Winninglaan 15  
9140 Temse  
Phone: +32 (0) 3 / 7 11 03 53  
Fax: + 32 (0) 3 / 7 11 05 79  
info@hanwel.be  
www.hanwel.be

## Chile

**INTERTECH**  
Prat 116, Of 31  
Curicó, Chile  
phone +56.075.322033  
www.inter-tech.cl  
n.flores@inter-tech.cl

## People's Rep. Of China

**Shanghai Fier Mechanical Co. LTD**  
Room B4, 15/F HuaFu Bldg.  
No. 585 LongHua xi Rd.  
ShangHai, China 200232  
Phone: +86-21-54591038  
Fax: +86-21-54240616  
MP: 13611665381  
shfier@163.com  
www.fier.com.cn

## Denmark

**Uni-Valve A/S**  
Sydvestvej 138 – 140  
2600 Glostrup  
Phone: +45 (0) 43 43 82 00  
Fax: +45 (0) 43 43 74 75  
mail@uni-valve.com  
www.uni-valve.com

## Finland

**Klinger Finland Oy**  
**Aseko**  
Tinankuja 3  
02430 Masala  
Phone: +358 (0) 10 400 10 12  
Fax: +358 (0) 10 400 12 00  
info@aseko.fi  
www.aseko.fi

## France, MA, TN, DZ

**T.N.P.**  
30 avenue Galliéni  
94100 Saint-Maur  
Phone: +33 (0) 1 / 55 97 11-11  
Fax: +33 (0) 1 / 48 83 52 07  
contact@tnp.fr  
www.tnp.fr

## Great Britain

**Voith Turbo Ltd.**  
6 Beddington Farm Road  
Croydon, Surrey CRO, 4XB  
Phone: +44 (0) 2 08 / 6 67 30 13  
Fax: +44 (0) 2 08 / 6 67 04 03  
matthew.healy@voith.com

## Greece

**Niko Mikopoulos, BSc.**  
Metron Str. 28  
17123 Nea Smyrni-Athens  
Phone: +30 6 98 305 10 70  
n.mikopoulos@nm-bc.com

## India

**Antrieb Technik Private Limited**  
59 (old 359) Sidco Industrial Estate  
Ambattur  
Chennai-600 098  
Tamilnadu / INDIA  
Phone: +91 (44) 262 – 58303  
Fax: +91 (44) 2819 – 3718  
antrieb.technik@gmail.com

## Israel

**P.B.A Wiesner Agencies Ltd.**  
P. O. Box 4622  
Petach-Tikva 49277  
Phone: +972 (0) 3 / 9 05 21 11  
Fax: +972 (0) 3 / 9 05 21 10  
ofra@pba.co.il

## Italy

**Techno Paper S.R.L.**  
Viale Certosa 269  
20151 Milano (MI)  
Phone: +39 (0) 02 78627750  
Fax: +39 (0) 02 45471638  
info@techno-paper.com  
www.techno-paper.com

## Japan

**Voith IHI Paper Technology Co.Ltd.**  
River City M-SQUARE 7F  
2-1-6 Tsukuda, Chuo-ku  
1040051 Tokyo  
Phone: +81 3 6221 3108  
Fax: +81 3 6221 3126

## Korea

**C.S-Automation Co., Ltd. (Customer Satisfaction Automation)**  
#804 Sejung Technovalley  
279-5 Songjeong-Dong  
Heungdeok-Gu  
Cheongju-Si  
South Korea. 361-290  
Phone: +82 43 276 1332  
Fax: +82 43 278 1332  
changseol@korea.com

## Netherlands

**Hanwel B. V.**  
Jan Tinbergenstraat 209  
7559 SP Hengelo  
The Netherlands  
Phone: +31 74-2650000  
Fax: +31 74-2650001  
verkoop@hanwel.com  
www.hanwel.com

## Norway

**KSB Norge AS**  
Haugenveien 29  
1400 SKI  
Phone: +47 96 900 900  
firmapost@ksb.com  
www.ksb.com/ksb-no

## Philippines

**R. Dan and Co., Inc.**  
20 Alfonso St.  
Rosario  
Pasig City 1609  
Phone: +632 – 6558796  
Fax: +632 – 6562089  
ester.poe@robertdan.com.ph  
www.robertdan.com.ph

## Poland

**Waldemar Kulicki**  
ul. Heweliusza 37/4  
87-148 Papowo Toruńskie  
Phone: +48 56 / 6783399  
Fax: +48 56/ 6783880  
waldemar-kulicki@wp.pl  
www.wkulicki.eu

## Rep. of South Africa

**Voith Turbo (Pty) Ltd**  
P.O. Box 13171  
Witfield, 1467  
Gauteng, SOUTH AFRICA  
Phone: +27 11 418 4000  
Fax: +27 11 418 4080  
info.vtza@voith.com  
www.rsa.voithturbo.com

## Spain, Portugal

**CELPAP EQUIPOS, S.L.**  
C/Amposta, 14-18  
08174 Sant Cugat del Vallés  
(Barcelona)  
Phone +34 93 415 18 75  
celpap@celpap.com  
www.celpap.com

## Sweden

**PA-Ventiler AB**  
Sagbäcksvägen 3B  
43736 Lindome  
Phone: +46 (0) 31 / 99 25 00  
Fax: +46 (0) 31 / 99 25 03  
info@paventiler.se  
www.paventiler.se

## Taiwan

**E-Chen Engineering Co., Ltd.**  
3F-3, No. 151, Sec. 4,  
Hsin-Yi Road,  
Taipei, Taiwan, R.O.C.  
Phone: +886 (0) 22 / 7056185  
Fax: +886 (0) 22 / 7 04 59 67  
echen123@ms15.hinet.net

## Thailand

**Weston Myer Ltd.**  
8 Soi Seri-Thai 58  
Seri-Thai Road  
10510 Minburi Bangkok  
Phone: +66 (0) 2 / 3 74 58 69  
Fax: +66 (0) 2 / 3 75 – 11 79  
comm1@westonmyer.com

## Turkey

**Sanrep Kağıt San. ve Tic. Ltd. Şti.**  
Altıyol, Kuşdili Caddesi No:19/7  
H.Fazlıoğlu İş Merkezi  
34714 Kadıköy – İSTANBUL  
Phone: +90 216 345 40 48  
Fax: +90 216 330 73 12  
sanrep@sanrep.com  
www.sanrep.com

## USA, Canada, Mexico

**Voith Paper Inc.**  
2200 N. Roemer Rd.  
Appleton, WI 54912-2237  
Phone: +1 (0) 920 – 358 – 2486  
Fax: +1 (0) 920 – 221 – 8904  
igor.figureira@voith.com