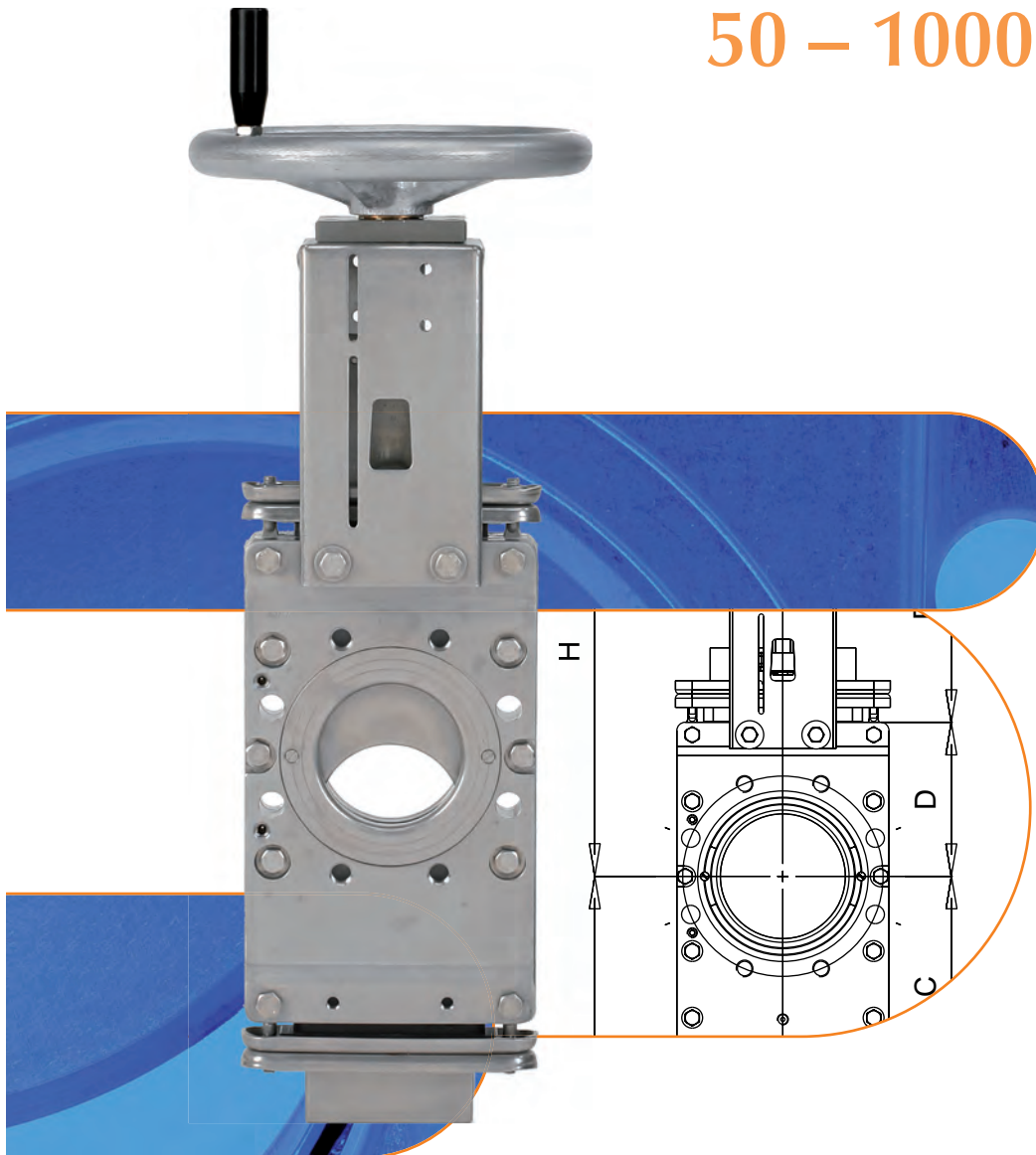


Valves of stainless steel · COMPACT-Program

Shut-Off-Valves with through-going valve plate

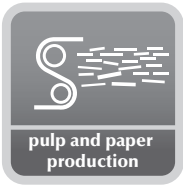
CDS/CDSV/CDSR

50 – 1000 mm



MARTIN LOHSE GmbH
Unteres Paradies 63 · D-89522 Heidenheim
phone +49 7321 755-42
sales@lohse-gmbh.de
www.lohse-gmbh.de

Applications



Paper industry

LOHSE stock valves with through-going slide plate have been successfully tested thousands of times in all areas of the pulp and paper industry.

Valve types CDS and CDSV are installed as shut-off valves for pulp with a high degree of contamination, owing to their absolutely smooth, pocket-free passage.



Chemical industry and food industry

LOHSE stock valves with through-going slide plate, in special design with food-grade components, are used as shut-off valves and regulating valves for viscous, pulverulent, granular and sticky substances.



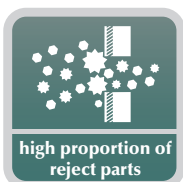
Waste treatment plants

LOHSE stock valves with through-going slide plate can be found in waste treatment plants for the shutting off of viscous and aggressive substances.

Special valves

On request we can supply specially designed valves of the most varied materials (e. g. titan) for special fields of application.

Media



Construction

Housing entirely of stainless steel

- corrosion and acid resistant
- easy to maintain
- the handwheel support also serves as a mounting for any control apparatus and protection guard

Slide cups of special plastic

- abrasion resistant
- excellent anti-friction properties
- temperature resistant
- acid resistant
- easily replaceable

Valve plate of stainless steel

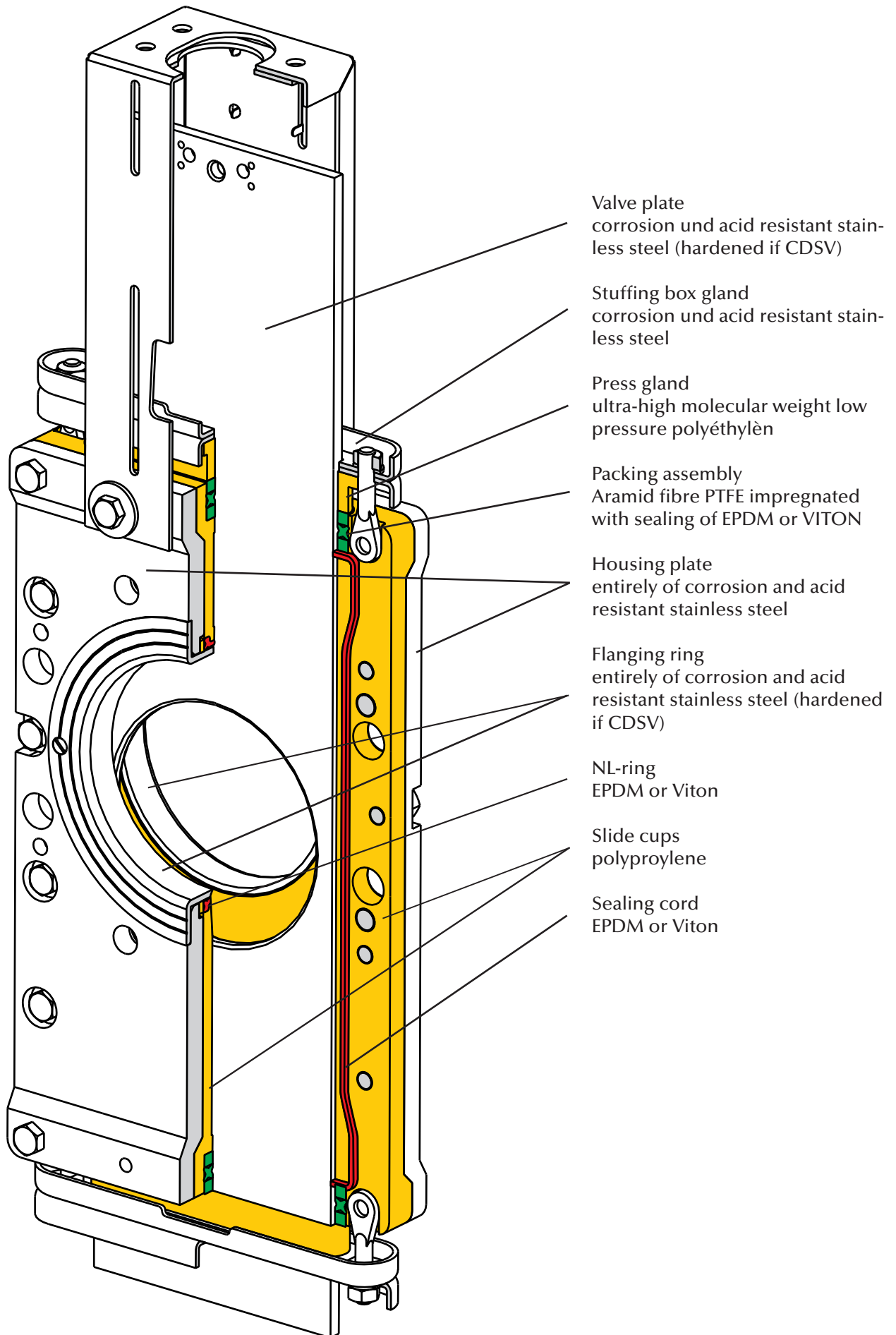
- corrosion and acid resistant – type CDSV has a hardened valve plate
- bare cross section = nominal diameter of piping
- no stringing of fibres is possible
- free of dead space in open position

100 % water-tight in both directions

- seals resistant to temperature and acids
- seals easily replaceable but firmly anchored in the valve housing
- Leak test according to DIN EN 12266-02:2012-04
Table A5, test medium liquid, leakage rate A

Actuating elements in well-proved LOHSE modular system

- interchangeable an all valves of our make
- also interchangeable on the incorporated existing valve
- reduced stock holding



Materials

- housing
 - DN 50 – 400 1.4301
 - DN 450 – 600 1.4541
 - DN 700 – 1000 1.4571
- flanging ring
 - DN 50 – 65 1.4571
 - DN 80 1.4404
 - DN 100 – 1000 1.4571
- valve plate 1.4571
- slide cups
 - DN 50 – 600 PP
- sealing EPDM or VITON
- slide parts
 - DN 700 – 1000 CuSn6 / CuAl10Ni
- stuffing box gland 1.4301
- packing assembly
 - DN 50 – 500:
 - packing aramid fibre with impregnation of PTFE
 - p-ring EPDM, VITON or NBR
 - DN 600 aramid fibre with PTFE
 - DN 700 – 1000:
 - packing aramid fibre with impregnation of PTFE
 - p-ring EPDM, VITON or NBR
- press gland
 - DN 50 -150 PE-HMW
- bracket 1.4301
- screws / nuts A2
- max. operating pressure
 - DN 50 – 250 8 bar
 - DN 300 – 500 6 bar
 - DN 600 4 bar
 - DN 700 – 800 2.5 bar
 - DN 900 – 1000 2 bar
- max. operating temperature 120° C

Type CDSV similar, but with hardened flanging rings and valve plate.

Operating elements – the LOHSE modular system

All LOHSE COMPACT-valves comprise the following **main groups**:

- valve body type: CDS, CDSV
- operating elements type Hns, H, P, PV, E, GK, K, X

All elements are interchangeable for any given size. Thereby the connections of brackets as well as the coupling of actuator and valve plate will be removed and fixed again after the exchange. No removal of incorporated valve body (notice safety rules – pipes must be pressureless).

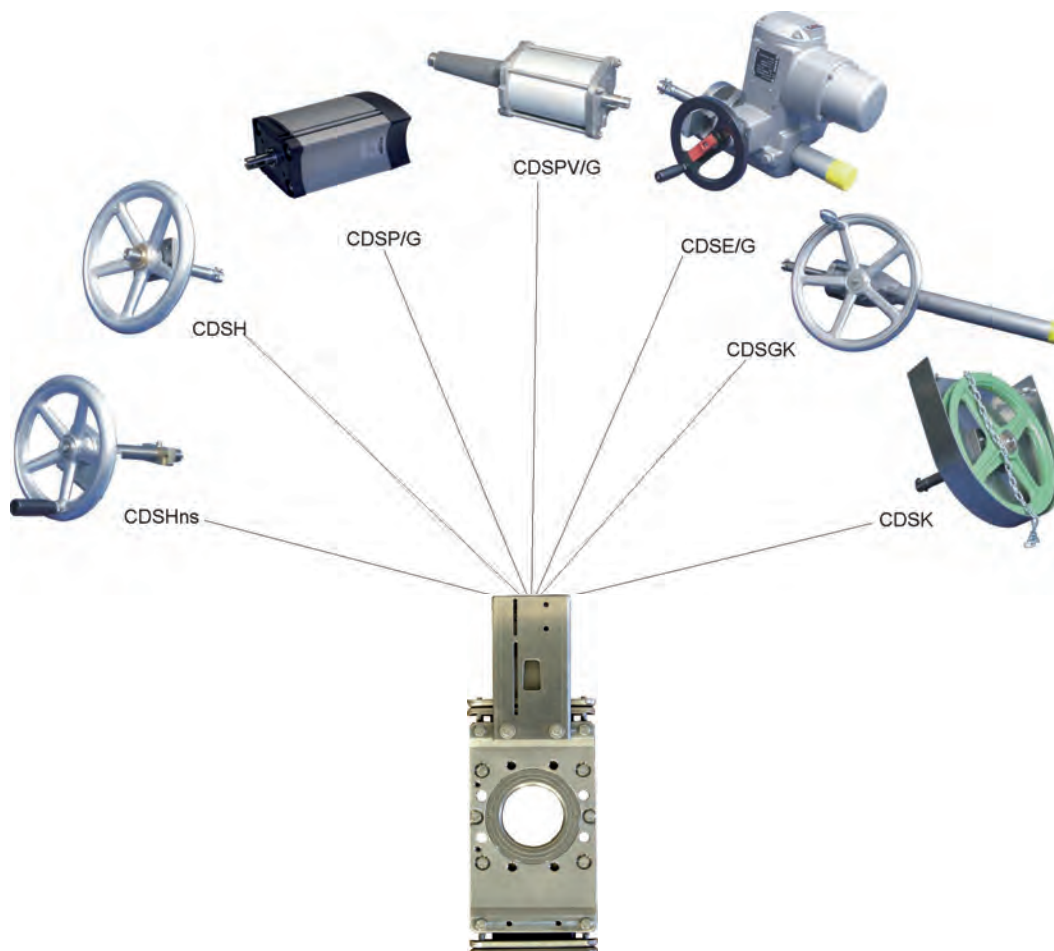
This facility is called the **LOHSE modular system** which offers the following advantages:

- simplified and less expensive holding of spare parts.
- in case of damage, actuating elements can be replaced inexpensively.
- if any valve drives have to be altered, replacement is easy and quick

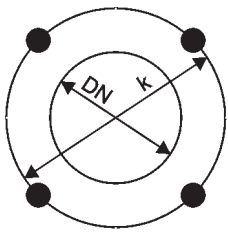
Protection guards (G)

According to machinery directive 2006/42/EG guards are compulsory to shield all moving parts on automated gate valves.

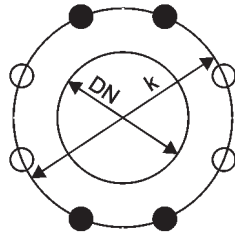
Protection guard of stainless steel.



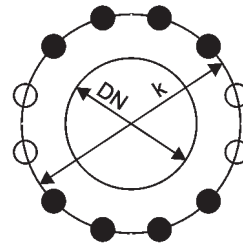
Flange bores for LOHSE COMPACT-valves according to DIN EN 1092-1, PN 10



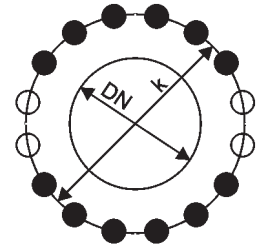
DN 50-65



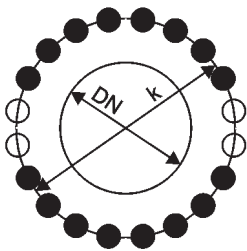
DN 80-200



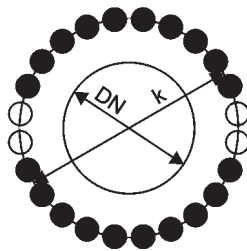
DN 250-300



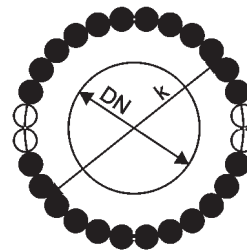
DN 350-400



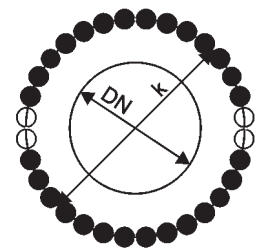
DN 450-600



DN 700-800

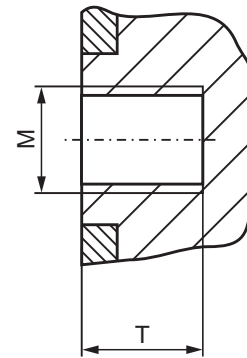


DN 900-1000



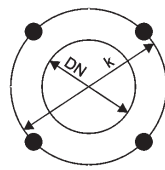
DN 1100-1200

DN [mm]	K [mm]	Z	M	T [mm]	Z1	Z2
50	125	4	M16	12	4	-
65	145	4	M16	12	4	-
80	160	8	M16	12	4	4
100	180	8	M16	12	4	4
125	210	8	M16	12	4	4
150	240	8	M20	16	4	4
200	295	8	M20	16	4	4
250	350	12	M20	20	8	4
300	400	12	M20	20	8	4
350	460	16	M20	20	12	4
400	515	16	M24	23	12	4
450	565	20	M24	30	16	4
500	620	20	M24	30	16	4
600	725	20	M27	35	16	4
700	840	24	M27	40	20	4
800	950	24	M30	45	20	4
900	1050	28	M30	45	24	4
1000	1160	28	M33	45	24	4
1100	1270	32	M33	50	28	4
1200	1380	32	M36	55	28	4

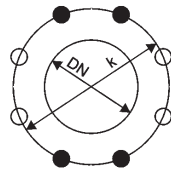


Z = total number of holes
 Z1 = number of joint-holes
 Z2 = number of through-going bores
 T = usable depth of thread

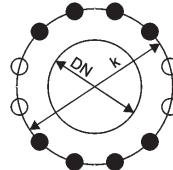
Flange bores for LOHSE COMPACT-valves
according to ANSI B 16.5 Class 150 (≥ DN 700: ANSI B 16.47 Class 150)



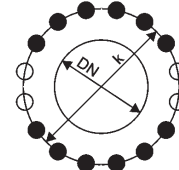
DN 50-80



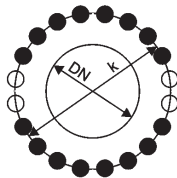
DN 100-200



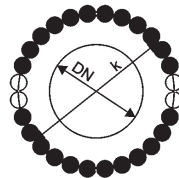
DN 250-350



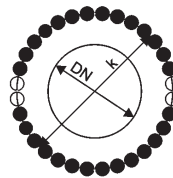
DN 400-450



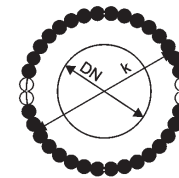
DN 500-600



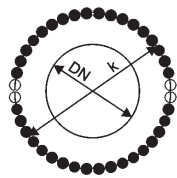
DN 700-800



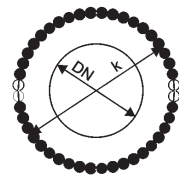
DN 900



DN 1000

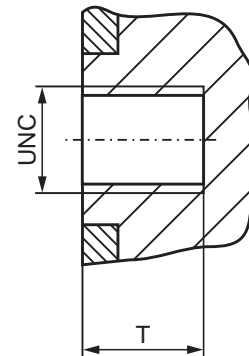


DN 1100



DN 1200

DN [mm]	DN [inch]	K [mm]	K [inch]	Z	UNC	T [mm]	T [inch]	Z1	Z2
50	2	120.6	4 3/4	4	5/8"-11	12	0.472	4	-
65	2.5	139.7	5 1/2	4	5/8"-11	12	0.472	4	-
80	3	152.4	6	4	5/8"-11	12	0.472	4	-
100	4	190.5	7 1/2	8	5/8"-11	12	0.472	4	4
125	5	215.9	8 1/2	8	3/4"-10	12	0.472	4	4
150	6	241.3	9 1/2	8	3/4"-10	16	0.630	4	4
200	8	298.5	11 3/4	8	3/4"-10	16	0.630	4	4
250	10	362	14 1/4	12	7/8"-9	20	0.787	8	4
300	12	431.8	17	12	7/8"-9	20	0.787	8	4
350	14	476.3	18 3/4	12	1"-8	20	0.787	8	4
400	16	539.8	21 1/4	16	1"-8	23	0.910	12	4
450	18	577.9	22 3/4	16	1 1/8"-7	30	1.181	12	4
500	20	635	25	20	1 1/8"-7	30	1.181	16	4
600	24	749.3	29 1/2	20	1 1/4"-7	35	1.378	16	4
700	28	863	34	28	1 1/4"-7	40	1.575	24	4
800	32	978	38 1/2	28	1 1/2"-6	45	1.772	24	4
900	36	1086	42 3/4	32	1 1/2"-6	45	1.772	28	4
1000	40	1200	47 1/4	36	1 1/2"-6	45	1.775	32	4
1100	44	1314	51 3/4	40	1 1/2"-6	50	1.969	36	4
1200	48	1422	56	44	1 1/2"-6	55	2.165	40	4



Z = total number of holes
 Z1 = number of joint-holes
 Z2 = number of through-going bores
 T = usable depth of thread

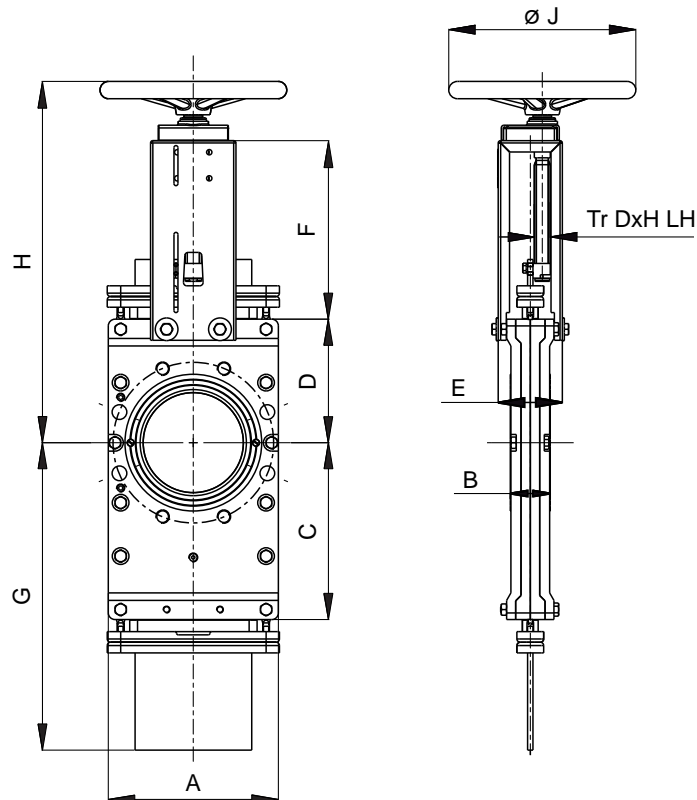
Pressure ranges

DN	standard		options	
	flange connection *)	operating pressure [bar]	flange connection *)	operating pressure [bar]
50	PN 10	8	PN 16-25-40	40
65				
80				
100			PN 16-25	25
125				
150				
200		PN 16	16	
250				
300				
350				
400		PN 10	10	
450				
500				
600				
700		2.5		
800				

*) Flange connection acc. to DIN EN 1092-1, PN...
Other sizes on request.

COMPACT-shut-off valve with through-going valve plate
handwheel drive with non-rising stem

Type CDSVHns similar, but with hardened valve plate and flanging rings



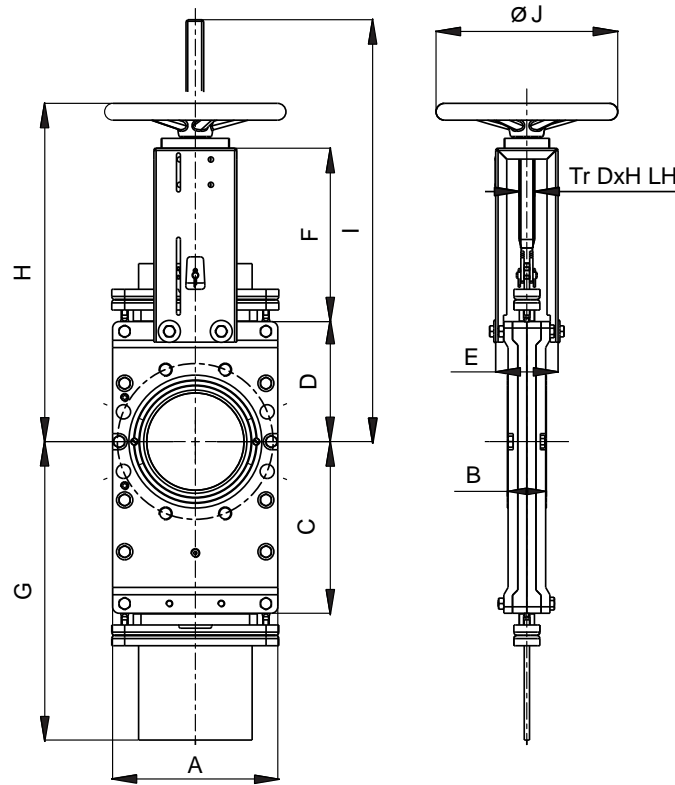
DN	PS [bar]	A	B	C	D	E	F	G	H	Ø J	Tr D x H LH	weight ~[kg]
50	8	160	40	125	125	85	160	212	368	225	20 x 4	13
65	8	160	40	140	140	85	160	238	383	225	20 x 4	13
80	8	185	50	160	145	85	176	282	404	225	20 x 4	16
100	8	205	49	190	155	96	207	331	451	280	24 x 5	24
125	8	235	50	230	170	96	233	401	492	280	24 x 5	31
150	8	255	60	265	185	96	270	461	541	280	24 x 5	39
200	8	325	60	355	222	120	315	614	637	360	30 x 6	67
250	8	400	70	440	263	127	368	753	731	360	30 x 6	115
300	6	430	70	505	300	127	427	873	832	360	30 x 6	143
350	6	490	70	580	340	167	511	1006	942	360	30 x 6	201
400	6	570	90	655	385	189	610	1122	1099	500	30 x 6	266
450	6	630	110	750	435	208	680	1282	1217	500	30 x 6	
500	6	700	110	840	470	228	735	1422	1324	500	36 x 6	
600	4	810	130	1000	545	368	850	1667	1514	500	36 x 6	

*) Opening DN - 3mm, full opening on request.

Dimensions in mm, flange dimensions to DIN EN 1092-1, PN 10 or ANSI B 16.5 Class 150 (≥ DN 700: ANSI B 16.47 Class 150).
Further sizes on request.

COMPACT-shut-off valve with through-going valve plate
handwheel drive with rising stem

Type CDSVH similar, but with hardened valve plate and flanging rings

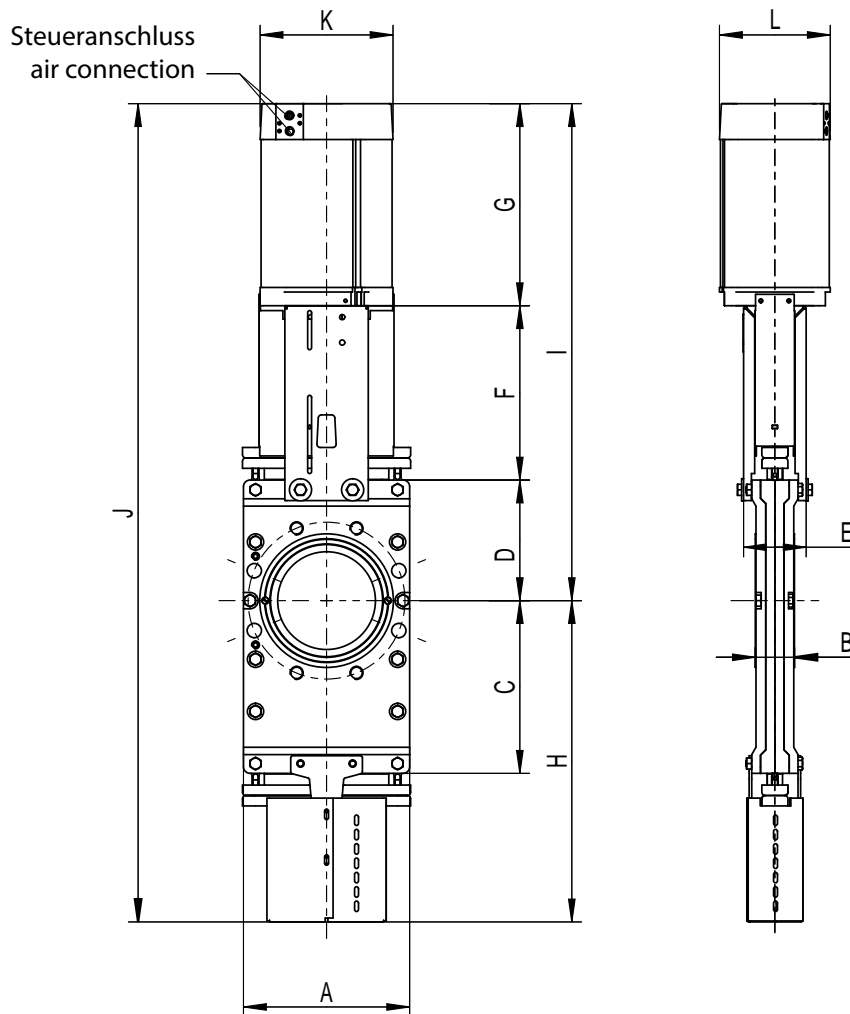


DN	PS [bar]	A	B	C	D	E	F	G	H	I	Ø J	Tr D x H LH	weight ~[kg]
50	8	160	40	125	125	85	160	212	350	395	225	20 x 4	13
65	8	160	40	140	140	85	160	238	365	425	225	20 x 4	13
80	8	185	50	160	145	85	176	282	386	465	225	20 x 4	17
100	8	205	49	190	155	96	207	331	431	530	280	24 x 5	25
125	8	235	50	230	170	96	233	401	472	595	280	24 x 5	31
150	8	255	60	265	185	96	270	461	522	672	280	24 x 5	39
200	8	325	60	355	222	120	315	614	617	820	360	30 x 6	67
250	8	400	70	440	263	127	368	753	711	960	360	30 x 6	116
300	6	430	70	505	300	127	427	873	807	1110	360	30 x 6	143
350	6	490	70	580	340	167	511	1006	947	1300	500	36 x 6	201
400	6	570	90	655	385	189	610	1122	1091	1500	500	36 x 6	266
450	6	630	110	750	435	208	680	1282	1211	1665	500	36 x 6	428
500	6	700	110	840	470	228	735	1422	1301	1805	500	36 x 6	564
600	4	810	130	1000	545	368	850	1667	1491	2105	640	44 x 7	898

Dimensions in mm, flange dimensions to DIN EN 1092-1, PN 10 or ANSI B 16.5 Class 150 (≥ DN 700: ANSI B 16.47 Class 150).
Further sizes on request.

COMPACT-shut-off valve with through-going valve plate
pneumatic cylinder and protection guard

Type CDSVP/G similar, but with hardened valve plate and flanging rings

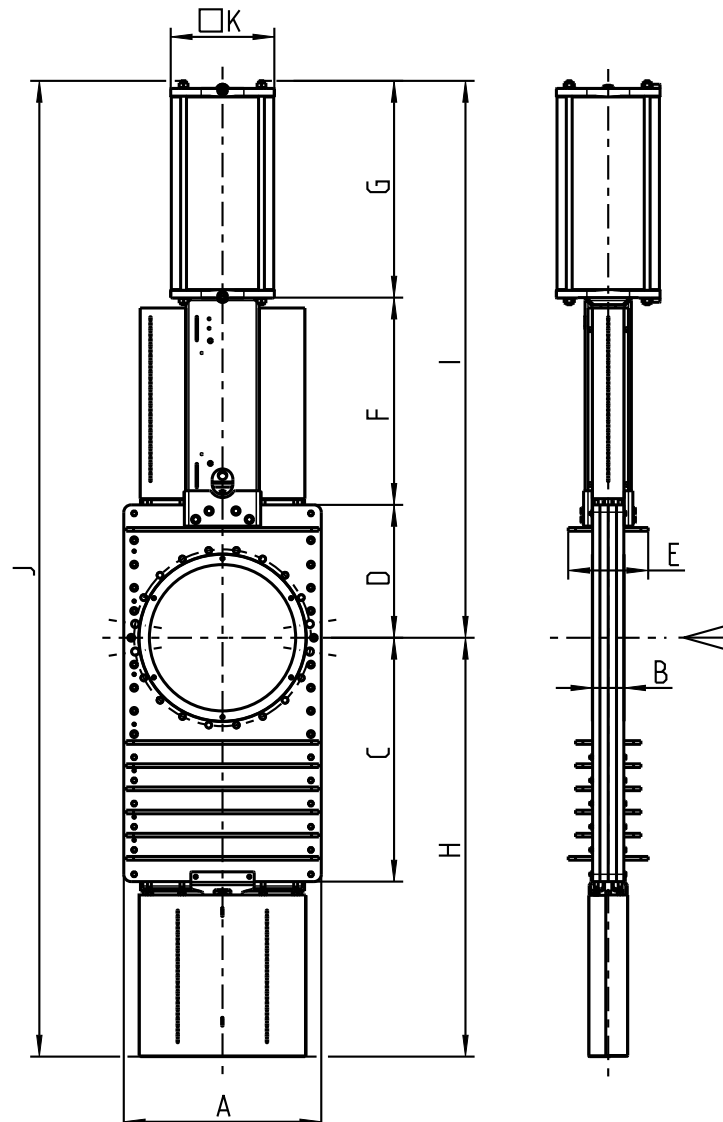


DN	PS [bar]	A	B	C	D	E	F	G	H	I	J	K	L	cyl Ø	air connection	weight ~[kg]
50	8	160	40	125	125	85	160	182	245	467	712	139	118	100	G 1/4"	15.3
65	8	160	40	140	140	85	160	197	260	497	757	139	118	100	G 1/4"	15.4
80	8	185	50	160	145	85	176	210	301	531	832	139	118	100	G 1/4"	15.5
100	8	205	49	190	155	96	207	253	358	615	973	165	145	125	G 1/4"	31.9
125	8	235	50	230	170	96	233	279	431	682	1113	165	145	125	G 1/4"	36.1
150	8	255	60	265	185	96	268	310	493	763	1256	204	178	160	G 1/4"	49.4
200	8	325	60	355	222	118	315	388	651	925	1576	244	215	200	G 1/2"	84.4
250	8	400	70	440	263	127	368	433	805	1064	1869	244	215	200	G 1/2"	134
300	6	430	70	505	300	127	427	515	915	1242	2157	283	242	230	G 1/2"	163

Dimensions in mm, flange dimensions to DIN EN 1092-1, PN 10 or ANSI B 16.5 Class 150 (≥ DN 700: ANSI B 16.47 Class 150);
air connection acc. VDI/VDE 3845 (NAMUR).
Further sizes on request.

COMPACT-shut-off valve with through-going valve plate
pneumatic cylinder and protection guard

Type CDSVP/G similar, but with hardened valve plate and flanging rings

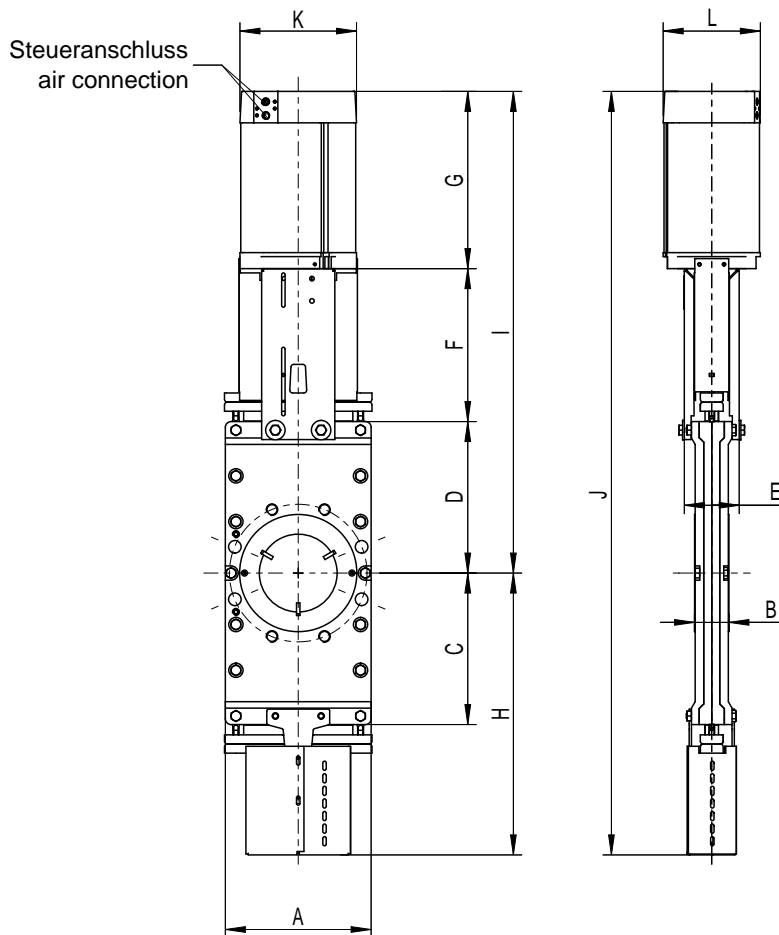


DN	PS [bar]	A	B	C	D	E	F	G	H	I	J	K	cyl Ø	air connec- tion	weigh ~[kg]
350	6	490	70	580	340	167	511	571	1011	1422	2433	318	300	G 1/2"	235
400	6	570	90	655	385	189	610	621	1132	1616	2748	318	300	G 1/2"	320
450	6	630	110	750	435	208	680	666	1367	1781	3148	318	300	G 1/2"	519
500	6	700	110	840	470	228	735	789	1457	1994	3451	425	400	G 3/4"	718
600	4	810	130	1000	545	368	850	889	1720	2284	4004	425	400	G 3/4"	1046
700	2.5	960	150	1155	645	306	996	986	1995	2627	4622	645	500	G 3/4"	
800	2.5	1060	150	1310	710	306	1136	1086	2226	2932	5158	645	500	G 3/4"	

Dimensions in mm, flange dimensions to DIN EN 1092-1, PN 10 or ANSI B 16.5 Class 150 (≥ DN 700: ANSI B 16.47 Class 150).
Further sizes on request.

COMPACT-shut-off-valve

with through-going valve plate, extended housing, valve plate and flanging rings hardened, conical inlet with turbulence interrupter (ribs), with pneumatic cylinder and protection guard

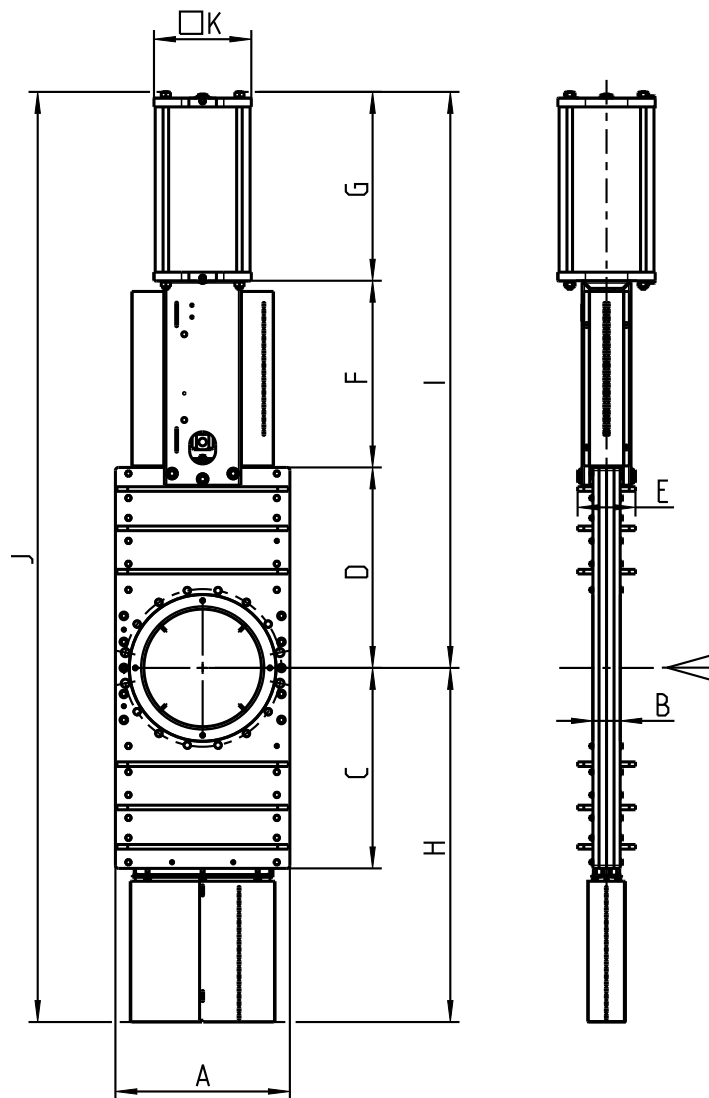


DN	PS [bar]	A	B	C	D	E	F	G	H	I	J	K	L	cyl Ø	air connection
50	8	160	40	125	125	85	160	200	242	485	727	139	118	125	G 1/4"
65	8	160	40	140	140	85	160	206	257	506	763	139	118	125	G 1/4"
80	8	185	50	160	160	85	176	221	298	557	855	139	118	125	G 1/4"
100	8	205	49	190	190	96	207	243	350	640	990	165	145	145	G 1/4"
125	8	235	50	230	230	96	233	272	412	735	1147	165	145	145	G 1/4"
150	8	255	60	265	265	96	270	305	483	840	1323	204	178	175	G 1/2"
200	8	325	60	355	355	120	315	352	626	1022	1648	204	178	200	G 1/2"
250	8	400	70	440	440	127	368	401	762	1209	1971	244	215	200	G 1/2"
300	6	430	70	505	505	127	427	670	883	1602	2485	283	242	230	G 1/2"
350	6	490	70	580	580	167	511	720	1011	1811	2822	283	242	230	G 1/2"

Dimensions in mm, flange dimensions to DIN EN 1092-1, PN 10 or ANSI B 16.5 Class 150 (≥ DN 700: ANSI B 16.47 Class 150); air connection acc. VDI/VDE 3845 (NAMUR). Further sizes on request.

COMPACT-shut-off-valve

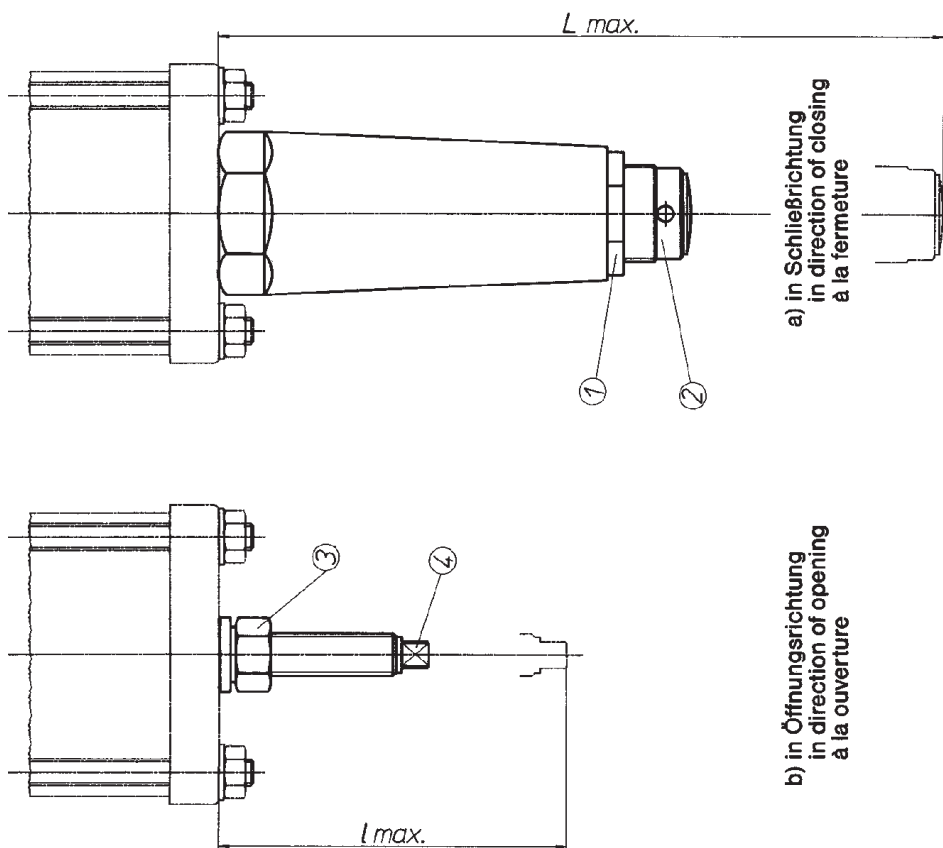
with through-going valve plate, extended housing, valve plate and flanging rings hardened, conical inlet with turbulence interrupter (ribs), with pneumatic cylinder and protection guard



DN	PS [bar]	A	B	C	D	E	F	G	H	I	J	□K	cyl Ø	air connecion
400	6	570	90	655	655	189	610	621	1132	1886	3018	318	300	G 1/2"
450	6	630	110	750	750	208	680	666	1367	2096	3463	318	300	G 1/2"
500	6	700	110	840	840	228	735	789	1457	2364	3821	425	400	G 3/4"
600	4	810	130	1000	1000	368	850	889	1720	2739	4459	425	400	G 3/4"
700	2.5	960	150	1155	1155	306	996	986	1995	3137	5132	645	500	G 3/4"
800	2.5	1060	150	1310	1310	306	1136	1086	2226	3532	5758	645	500	G 3/4"

Dimensions in mm, flange dimensions to DIN EN 1092-1, PN 10 or ANSI B 16.5 Class 150 (≥ DN 700: ANSI B 16.47 Class 150). Further sizes on request.

COMPACT-shut-off-valve with through-going valve plate
 pneumatic-cylinder with variable stroke limiter and protection guard
 Type CDSVPV/G similar, but with hardened valve plate and flanging rings



Variable stroke limiter

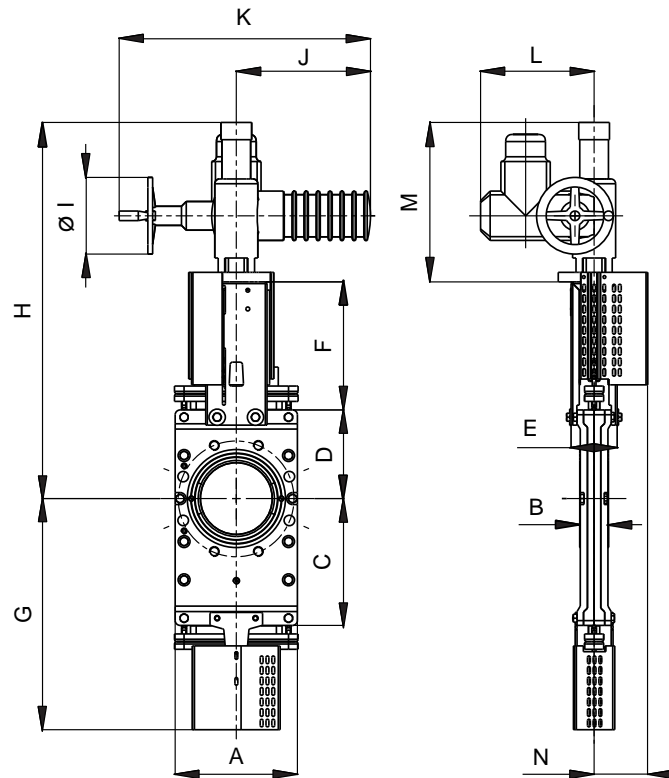
- in direction of closing:
loosen the nut (1), adjust the adjustable pipe (2), tighten the nut (1)
- in direction of opening:
loosen the nut (3), adjust the adjustable screw (4) tighten the nut

DN	cyl.Ø	in direction of opening	in direction of closing
		L max ~	L max ~
50	125	140	283
65	125	140	283
80	125	140	283
100	145	190	439
125	145	190	439
150	175	202	439
200	200	252	554

Further sizes on request.

COMPACT-shut-off-valve with through-going valve plate
electric drive and protection guard

Type CDSVE/G similar, but with hardened valve plate and flanging rings

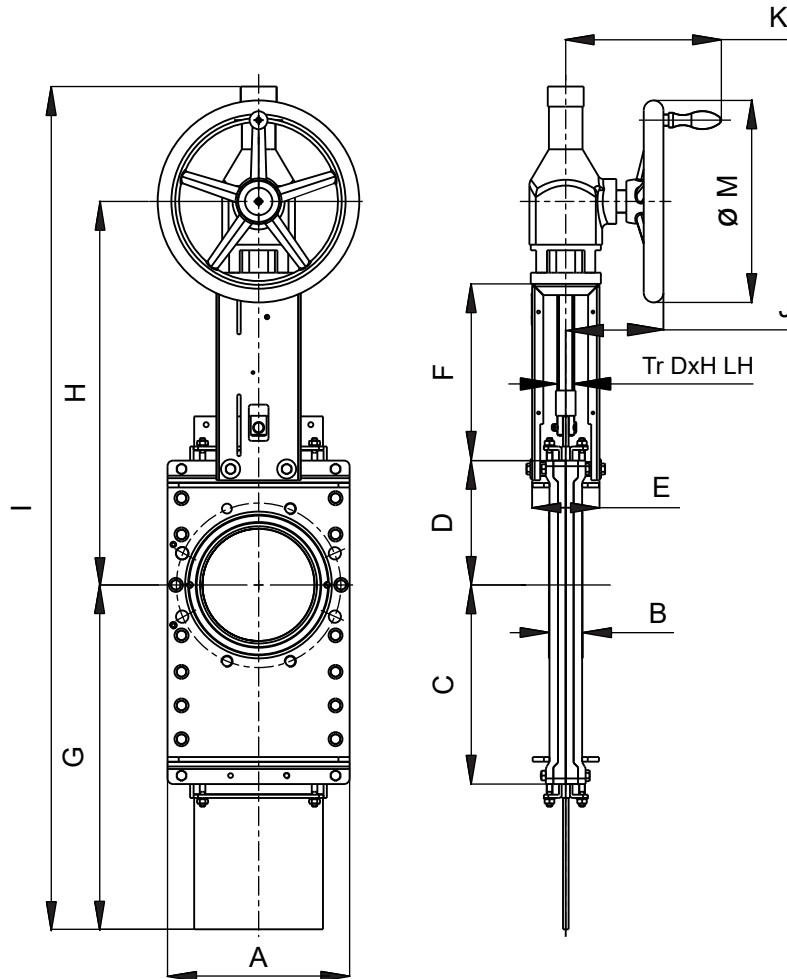


DN	PS [bar]	A	B	C	D	E	F	G	H	ØI	J	K	L	M	N	stem Tr DxH	closing time [s]	weight ~[kg]
50	8	160	40	125	125	85	160	242	618	140	280	509	237	333	108	20 x 4	19.3	36
65	8	160	40	140	140	85	160	257	633	140	280	509	237	333	108	20 x 4	24.3	36
80	8	185	50	160	145	85	176	298	654	140	280	509	237	333	108	20 x 4	29.3	40
100	8	205	49	190	155	96	207	350	695	160	280	525	237	333	114	24 x 5	29.1	47
125	8	235	50	230	170	96	233	412	736	160	280	525	237	333	114	24 x 5	35.7	54
150	8	255	60	265	185	96	270	483	786	160	280	525	237	333	112	24 x 5	42.4	62
200	8	325	60	355	222	120	315	626	882	200	355	603	247	345	126	30 x 6	45.0	96
250	8	400	70	440	263	127	368	762	976	200	355	603	247	345	126	30 x 6	56.4	145
300	6	430	70	505	300	127	427	883	1165	200	355	603	247	438	126	30 x 6	68.9	172
350	6	490	70	580	340	167	511	1011	1294	200	355	603	247	443	142	36 x 6	78.4	230
400	6	570	90	655	385	189	610	1132	1503	315	380	695	285	508	146	36 x 6	89.8	295
450	6	630	110	750	435	208	680	1367	1723	315	380	695	285	608	151	36 x 6	100.9	500
500	6	700	110	840	470	228	735	1475	1813	315	380	695	285	608	151	36 x 6	112.2	645
600	4	810	130	1000	545	368	850	1720	2103	315	380	695	285	708	161	44 x 7	83.0	989

Dimensions in mm, flange dimensions to DIN EN 1092-1, PN 10 or ANSI B 16.5 Class 150 (≥ DN 700: ANSI B 16.47 Class 150).
Further sizes on request.

COMPACT-shut-off-valve with through-going valve plate
bevel gear box and handwheel

Type CDSVGK similar, but with hardened valve plate and flanging rings

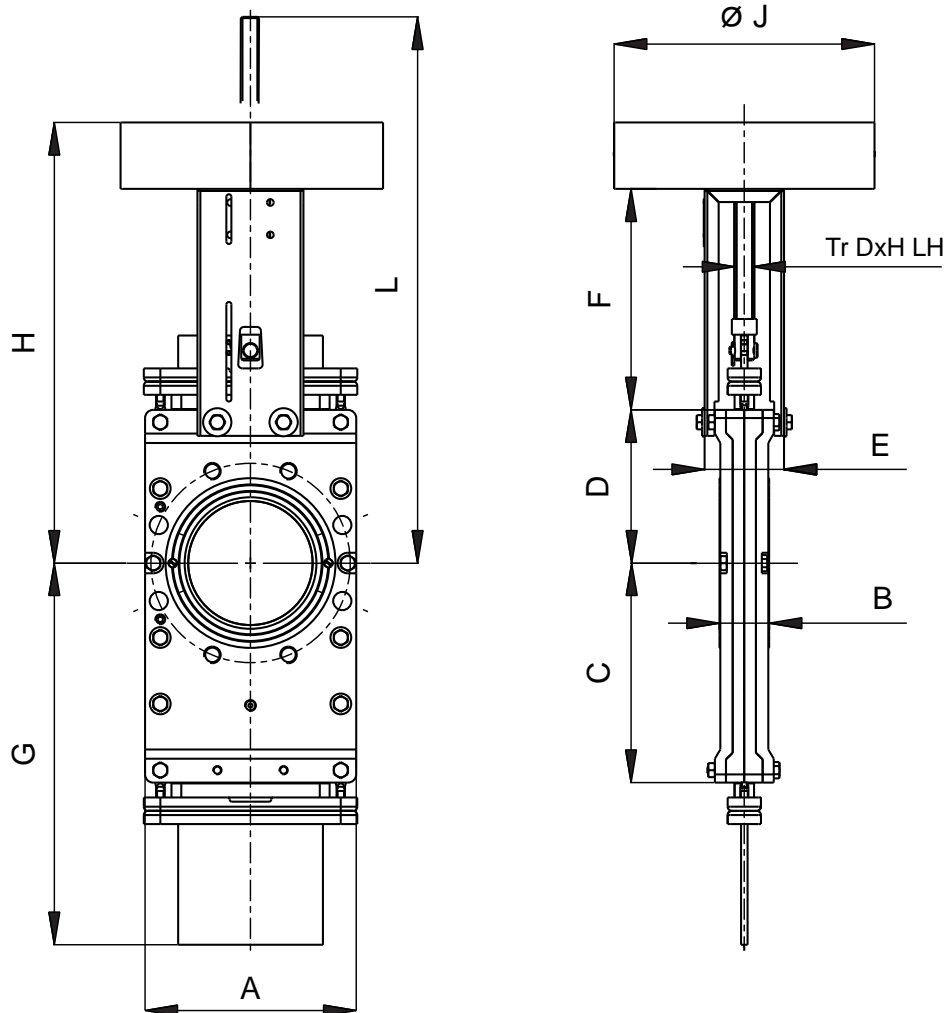


DN	PS [bar]	A	B	C	D	E	F	G	H	I	J	K	ØM	Tr DxH	weight ~[kg]
200	8	325	60	355	222	120	315	614	684	1503	174	278	360	30 x 6	87
250	8	400	70	440	263	127	368	753	778	1786	174	278	360	30 x 6	134
300	6	430	70	505	300	127	427	873	874	2052	174	278	360	30 x 6	164
350	6	490	70	580	340	167	511	1006	1003	2364	185	295	400	36 x 6	215
400	6	570	90	655	385	189	610	1122	1147	2669	185	295	400	36 x 6	279
450	6	630	110	750	435	208	680	1285	1267	2999	185	295	400	36 x 6	431
500	6	700	110	840	470	228	735	1422	1395	3309	222	340	400	36 x 6	592
600	4	810	130	1000	545	368	850	1667	1585	3817	222	340	500	44 x 7	903
700	2,5	960	150	1155	645	306	996	1948	1831	4445	222	340	500	44 x 7	
800	2,5	1060	150	1310	710	306	1136	2178	2036	4978	222	340	500	44 x 7	

Dimensions in mm, flange dimensions to DIN EN 1092-1, PN 10 or ANSI B 16.5 Class 150 (≥ DN 700: ANSI B 16.47 Class 150).
Further sizes on request.

COMPACT-shut-off-valve with through-going valve plate
sprocket drive

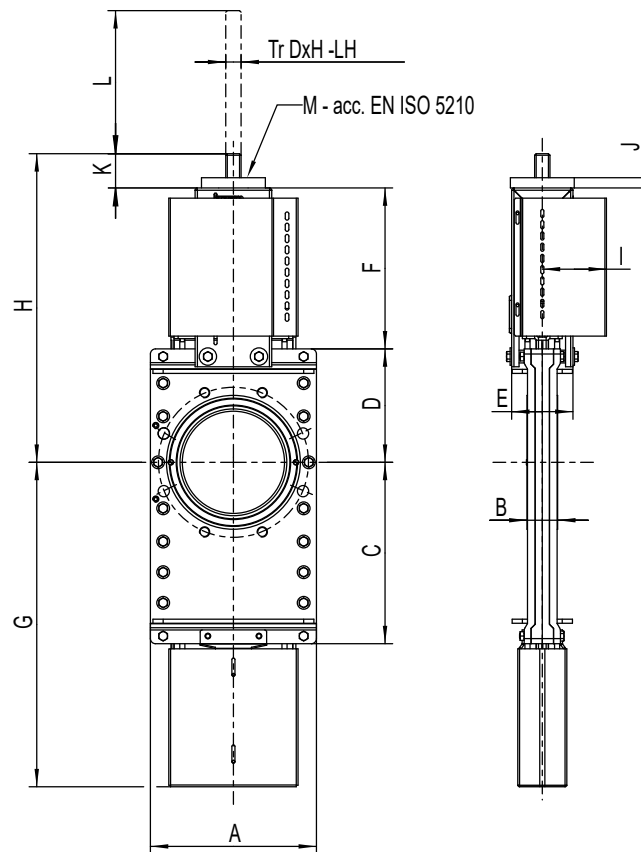
Type CDSVK similar, but with hardened valve plate and flanging rings



DN	PS [bar]	A	B	C	D	E	F	G	H	L	Ø J	Tr D x H LH	weight ~[kg]
50	8	160	40	125	125	85	160	212	366	395	274	20 x 4	18
65	8	160	40	140	140	85	160	238	381	425	274	20 x 4	19
80	8	185	50	160	145	85	176	282	402	460	274	20 x 4	23
100	8	205	49	190	155	96	207	331	441	530	314	24 x 5	31
125	8	235	50	230	170	96	233	401	482	595	314	24 x 5	37
150	8	255	60	265	185	96	270	461	532	667	314	24 x 5	47
200	8	325	60	355	222	120	315	614	616	815	394	30 x 6	79
250	8	400	70	440	263	127	368	753	710	955	394	30 x 6	127
300	6	430	70	505	300	127	427	873	806	1106	394	30 x 6	150

Dimensions in mm, flange dimensions to DIN EN 1092-1, PN 10 or ANSI B 16.5 Class 150 (≥ DN 700: ANSI B 16.47 Class 150).
Further sizes on request.

COMPACT-shut-off-valve with through-going valve plate + protection guard prepared for mounting an electric drive or bevel gearbox
 Type CDSVGK similar, but with hardened valve plate and flanging rings



DN	PS [bar]	A	B	C	D	E	F	G	H	I	J	K	L stroke	M	Tr DxH	weight ~[kg]
50	8	160	40	125	125	85	160	242	336	108	20	51	57	F10	20 x 4	12
65	8	160	40	140	140	85	160	257	355	108	20	55	72	F10	20 x 4	12
80	8	185	50	160	145	85	176	298	372	108	20	51	87	F10	20 x 4	16
100	8	205	49	190	155	96	207	350	419	114	20	57	108	F10	24 x 5	23
125	8	235	50	230	170	96	233	412	459	114	20	56	134	F10	24 x 5	30
150	8	255	60	265	185	96	270	483	511	112	20	56	158	F10	24 x 5	38
200	8	325	60	355	222	120	315	626	604	126	20	67	210	F10	30 x 6	68
250	8	400	70	440	263	127	368	762	693	126	20	62	262	F10	30 x 6	117
300	6	430	70	505	300	127	427	883	794	126	20	67	312	F10	30 x 6	144
350	6	490	70	580	340	167	511	1011	932	142	25	81	362	F14	36 x 6	175
400	6	570	90	655	385	189	610	1132	1083	146	25	88	412	F14	36 x 6	240
450	6	630	110	750	435	208	680	1367	1192	151	25	77	462	F14	36 x 6	445
500	6	700	110	840	470	228	735	1475	1288	151	25	83	512	F14	36 x 6	585
600	4	810	130	1000	545	368	850	1720	1477	161	25	82	612	F14	44 x 7	929

Dimensions in mm, flange dimensions to DIN EN 1092-1, PN 10 or ANSI B 16.5 Class 150 (≥ DN 700: ANSI B 16.47 Class 150).
 Further sizes on request.

Germany + Switzerland

MARTIN LOHSE GmbH
Unteres Paradies 63
89522 Heidenheim
Phone: +49 7321 755-0
sales@lohse-gmbh.de
www.lohse-gmbh.de

Australia, New Zealand, Indonesia, Singapore, Malaysia

P.T. VOITH PAPER
Jl. Permata V Lot EE - 1
Kawasan Industri KIIC
Karawang 41361, INDONESIA
Phone : +62 267 419 719
Fax : +62 267 419 717

Austria (Papier- + Zellstoffindustrie, Abwasser + Kläranlagen) + CZ, SK, SLO, SRB, HR, H

Peter Rejter
Handel Mazzetti-Str. 85
3100 St. Pölten
Phone: +43 2742 77366
Fax: +43 2742 77366
office@industriearmaturen.at

Austria

Klinger Gebetsroither GmbH & Co KG

Am Kanal 8-10
2352 Gumpoldskirchen
Phone: +43 2252 60 71 00 3029
Fax: +43 2252 60 71 00 3010
gerhard.praxmarer@gebetsroither.at
www.gebetsroither.at

Belgium

Hanwel Belgium N.V.
Winninglaan 15
9140 Temse
Phone: +32 3 7110353
Fax: + 32 3 7110579
info@hanwel.be
www.hanwel.be

Chile

INTERTECH
Prat 116, Of 31
Curicó, Chile
phone +56.075.322033
www.inter-tech.cl
n.flores@inter-tech.cl

People's Rep. Of China

Shanghai Fier Mechanical Co. LTD
Room B4, 15/F HuaFu Bldg.
No. 585 LongHua xi Rd.
ShangHai, China 200232
Phone: +86 21 54591038
Fax: +86 21 54240616
MP: 13611665381
shfier@163.com
www.fier.com.cn

Denmark

Uni-Valve A/S
Sydvestvej 138 – 140
2600 Glostrup
Phone: +45 43 438200
Fax: +45 43 437475
mail@uni-valve.com
www.uni-valve.com

Finland

KLINGER Finland Oy
Tinankuja 3
02430 Masala
Phone: +358 10 4001011
info@klinger.fi
www.klinger.fi

France, MA, TN, DZ T.N.P.

30 Boussegré
58140 Lormes
Phone: +33 1 559711-11
Fax: +33 1 48835207
contact@tnp.fr
www.tnp.fr

Great Britain

Voith Turbo Ltd.
6 Beddington Farm Road
Croydon, Surrey CRO, 4XB
Phone: +44 208 6673013
Fax: +44 208 6670403
matthew.healy@voith.com

Greece

Niko Mikopoulos, BSc.
Metron Str. 28
17123 Nea Smyrni-Athens
Phone: +30 6 98 305 10 70
n.mikopoulos@nm-bc.com

India

Antrieb Technik Private Limited
59 (old 359) Sidco Industrial Estate
Ambattur
Chennai-600 098
Tamilnadu / INDIA
Phone: +91 44 262-58303
Fax: +91 44 2819-3718
antrieb.technik@gmail.com

Israel

P.B.A Wiesner Agencies Ltd.
P. O. Box 4622
Petach-Tikva 49277
Phone: +972 3 9052111
Fax: +972 3 9052110
ofra@pba.co.il

Italy

Techno Paper S.R.L.
Viale Certosa 269
20151 Milano (MI)
Phone: +39 02 78627750
Fax: +39 02 45471638
info@techno-paper.com
www.techno-paper.com

Japan

Voith IHI Paper Technology Co.Ltd.
River City M-SQUARE 7F
2-1-6 Tsukuda, Chuo-ku
1040051 Tokyo
Phone: +81 3 6221 3108
Fax: +81 3 6221 3126

Korea

C.S-Automation Co., Ltd. (Customer Satisfaction Automation)
#804 Sejung Technovalley
279-5 Songjeong-Dong
Heungdeok-Gu
Cheongju-Si
South Korea. 361-290
Phone: +82 43 276 1332
Fax: +82 43 278 1332
changseol@korea.com

Netherlands

Hanwel B. V.
Jan Tinbergenstraat 209
7559 SP Hengelo
The Netherlands
Phone: +31 74 2650000
Fax: +31 74 2650001
verkoop@hanwel.com
www.hanwel.com

Norway

KS Norge AS
Holtbråtveien 69
1449 Drøbak
Phone: +47 917 19995
firmapost@ksb.com
www.ksb.com/en-no

Philippines

R. Dan and Co., Inc.
Lot 6-9 Block 5 Greenway Business
Park
Bulihan, Silang,
Cavite Philippines 4118
Phone: +63 960 690 0244
ester.poe@robertdan.com.ph
www.robertdan.com.ph

Poland

Waldemar Kulicki
ul. Heweliusza 37/4
87-148 Papowo Toruńskie
Phone: +48 509 46 64 25
waldemar-kulicki@wp.pl
www.wkulicki.eu

Rep. of South Africa

Voith Turbo (Pty) Ltd
P.O. Box 13171
Witfield, 1467
Gauteng, SOUTH AFRICA
Phone: +27 11 418 4000
Fax: +27 11 418 4080
info.vtza@voith.com
www.rsa.voithturbo.com

Spain, Portugal

CELPAP EQUIPOS, S.L.
C/Amposta, 14-18
08174 Sant Cugat del Vallés
(Barcelona)
Phone +34 93 415 18 75
celpap@celpap.com
www.celpap.com

Sweden

PA-Ventiler AB
Sagbäcksvägen 3B
43736 Lindome
Phone: +46 31 992500
Fax: +46 31 992503
info@paventiler.se
www.paventiler.se

Switzerland

dampfEXPERTE GmbH
Häsiweg 33
5018 Erlinsbach
Phone: +41 62 5448090
roger.fehr@dampfexperte.ch
www.dampfexperte.ch

Taiwan

E-Chen Engineering Co., Ltd.
3F-3, No. 151, Sec. 4,
Hsin-Yi Road,
Taipei, Taiwan, R.O.C.
Phone: +886 22 7056185
Fax: +886 22 7045967
echen123@ms15.hinet.net

Thailand

Weston Myer Ltd.
8 Soi Seri-Thai 58
Seri-Thai Road
10510 Minburi Bangkok
Phone: +66 2 3745869
Fax: +66 2 375-1179
comm1@westonmyer.com

Turkey

Sanrep Kağıt San. ve Tic. Ltd. Şti.
Altiyol, Kuşdili Caddesi No:19/7
H.Fazlıoğlu İş Merkezi
34714 Kadıköy – İSTANBUL
Phone: +90 216 345 40 48
Fax: +90 216 330 73 12
sanrep@sanrep.com
www.sanrep.com

USA, Canada, Mexico

Voith Paper Inc.
2200 N. Roemer Rd.
Appleton, WI 54912-2237
Phone: +1 920 – 358 – 2396
Fax: +1 920 – 731 – 5126
VPAWSpareParts@voith.com