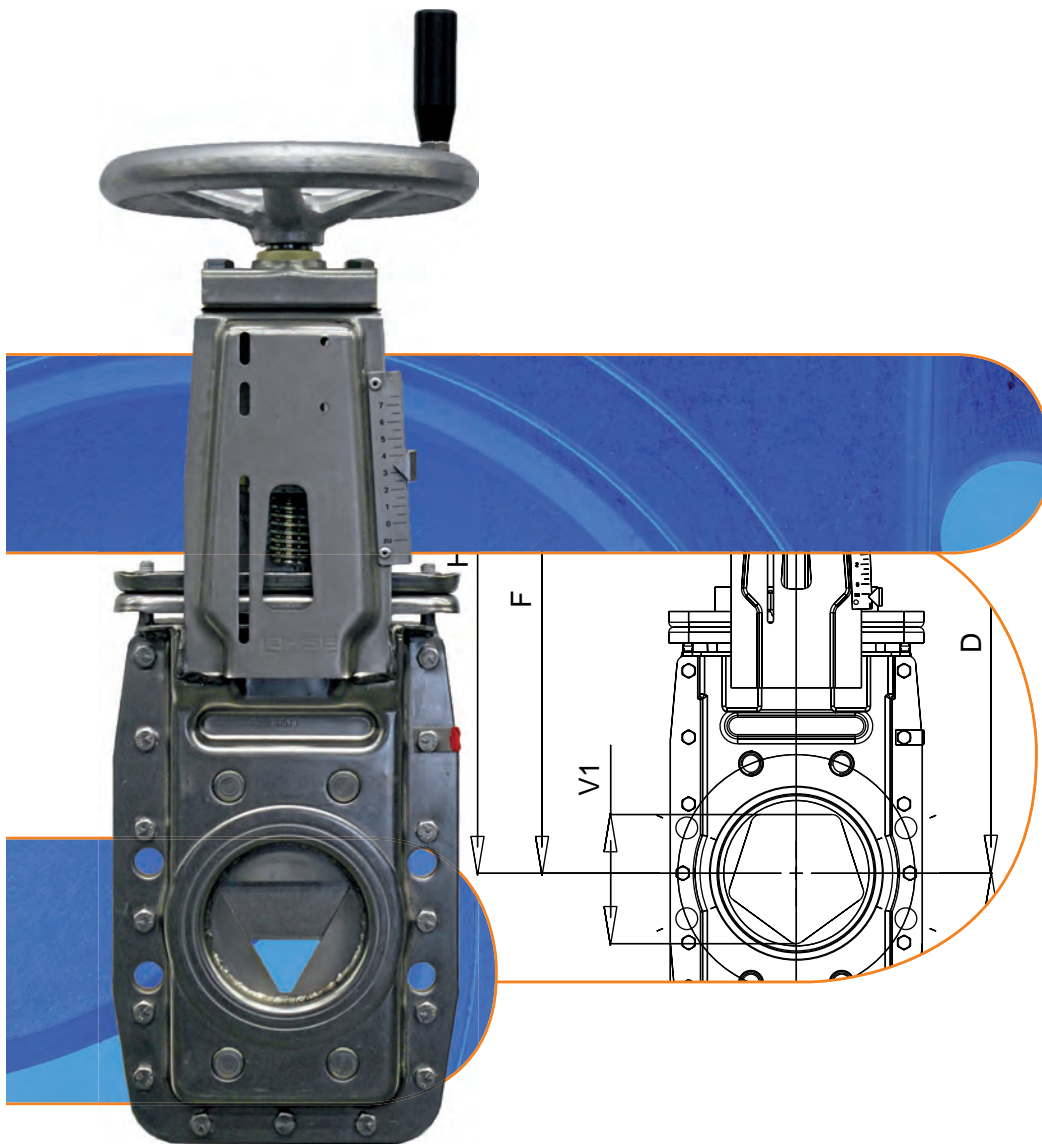


Valves of stainless steel · COMPACT-Program

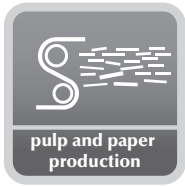
Regulating Valves

CBS 50 – 400 mm



MARTIN LOHSE GmbH
Unteres Paradies 63 · D-89522 Heidenheim
Postfach 1565 · D-89505 Heidenheim
phone +49(0)7321 / 755-42 · fax +49(0)7321 / 755-97
server.ab@lohse-gmbh.de
www.lohse-gmbh.de

Applications



Paper industry and chemical industry

LOHSE COMPACT-gate valves have proved their value and reliability in all branches of ins paper and chemical industries. CNA-valves are regulating-type valves. The type is suitable for regulation of stock and aggressive media.



Sewage treatment

When LOHSE COMPACT-gate valves of acid resistant stainless steel are installed in waste water treatment plants, the need to use expensive isolation appliances to guard against contact-corrosion is removed.



Food industry

LOHSE COMPACT-gate valves are widely used as regulating valves for viscous and glutinous media as for instance in salt works, sugar mills, wine making industry, breweries etc.

In special designs, the non-metallic components of the LOHSE valves can be equipped with FDA-approved components. The respective suitability must be checked for each application.



Special models

For special applications, we can supply special valves constructed of various materials for differing temperatures, pressures and sealing properties to suit the particular application.

Construction

Housings entirely of stainless steel

- pressed steel design
- completely corrosion and acid resistant
- light
- easy to maintain
- the handwheel support also serves as a mounting for any switchgear or control apparatus

Slide guides of special plastic

- abrasion resistant
- excellent anti-friction properties
- temperature resistant
- acid resistant
- easily replaceable

Valve plate of stainless steel

- through its special design in combination with triangle and pentagon orifice is a constant regulation possible
- built in strength to resist water pressure vibration

Design of orifice triangle or pentagon

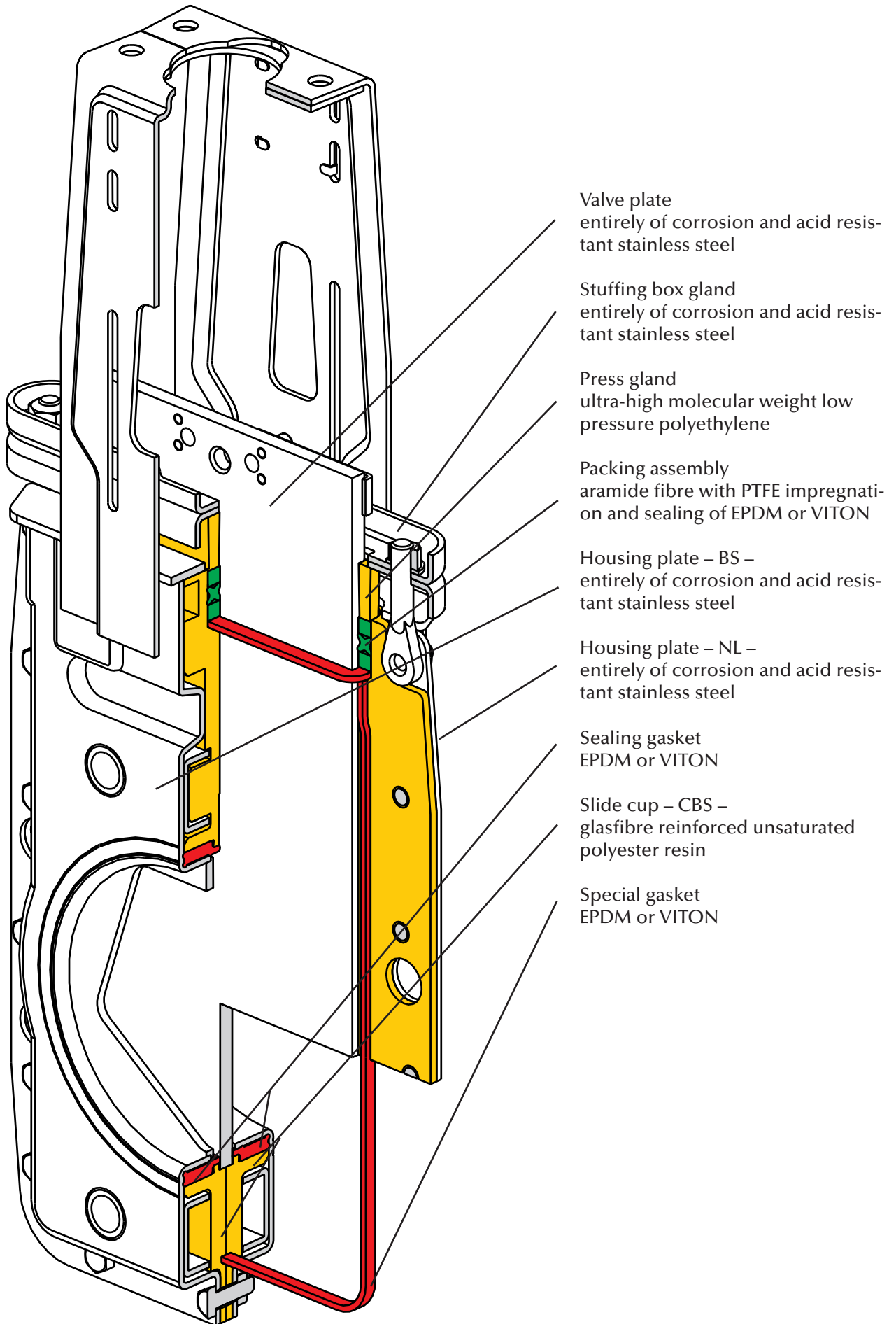
- triangle for precisely regulation
- pentagon for regulation with high flow

Actuating elements in well-proved LOHSE modular system

- interchangeable on all valves of our make
- also interchangeable on the incorporated existing valve
- reduced stock holding

Watertight

- Leak test according to DIN EN 12266-02:2012-04 Table A5, test medium liquid, leakage rate A



Valve plate
entirely of corrosion and acid resistant stainless steel

Stuffing box gland
entirely of corrosion and acid resistant stainless steel

Press gland
ultra-high molecular weight low pressure polyethylene

Packing assembly
aramide fibre with PTFE impregnation and sealing of EPDM or VITON

Housing plate – BS –
entirely of corrosion and acid resistant stainless steel

Housing plate – NL –
entirely of corrosion and acid resistant stainless steel

Sealing gasket
EPDM or VITON

Slide cup – CBS –
glasfibre reinforced unsaturated polyester resin

Special gasket
EPDM or VITON

Materials

- housing

| | |
|---------------|--------|
| DN 50 – 250 | 1.4404 |
| DN 300 – 600 | 1.4541 |
| DN 700 – 1000 | 1.4571 |
- flanging ring

| | |
|---------------|--------|
| DN 300 – 1000 | 1.4571 |
|---------------|--------|
- valve plate

| | |
|--|--------|
| | 1.4571 |
|--|--------|
- slide cups

| | |
|--------------|------|
| DN 50 – 250 | GFRP |
| DN 300 – 600 | PP |
- sealing

| | |
|--|--------------------|
| | EPDM, VITON or NBR |
|--|--------------------|
- slide parts

| | |
|---------------|------------------|
| DN 700 – 1000 | CuSn6 / CuAL10Ni |
|---------------|------------------|
- stuffing box gland

| | |
|---------------|--------|
| DN 50 – 150 | 1.4301 |
| DN 200 – 450 | 1.4541 |
| DN 500 – 600 | 1.4301 |
| DN 700 – 1000 | 1.4571 |
- packing assembly

| | |
|---------|--|
| packing | aramid fibre with impregnation of PTFE |
| p-ring | EPDM, VITON or NBR |
- press gland

| | |
|------------|--------|
| DN 50 -150 | PE-HMW |
|------------|--------|
- bracket

| | |
|--|--------|
| | 1.4301 |
|--|--------|
- screws / nuts

| | |
|--|----|
| | A2 |
|--|----|
- max. operating pressure

| | |
|---------------|---------|
| DN 50 – 250 | 8 bar |
| DN 300 – 400 | 6 bar |
| DN 450 – 600 | 4 bar |
| DN 700 – 800 | 2.5 bar |
| DN 900 – 1000 | 1.5 bar |
- max. operating temperature with sealing of

| | |
|-------|--------|
| NBR | 105° C |
| EPDM | 120° C |
| VITON | 200° C |

Operating elements – the LOHSE modular system

All LOHSE COMPACT-valves comprise the following **main groups**:

- valve body type: CBS
- operating elements type Hns, H, P, PV, E, GK

All elements are interchangeable for any given size. Thereby the connections of brackets as well as the coupling of actuator and valve plate will be removed and fixed again after the exchange. No removal of incorporated valve body (notice safety rules – pipes must be pressureless).

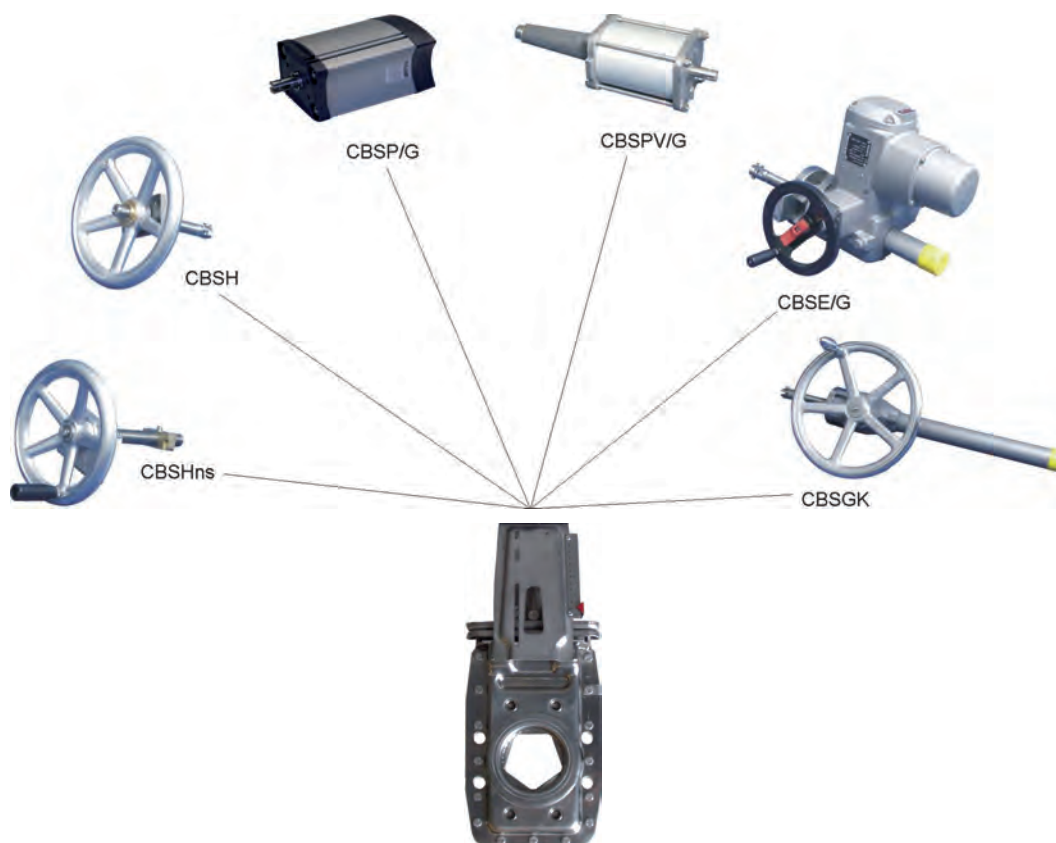
This facility is called the **LOHSE modular system** which offers the following advantages:

- simplified and less expensive holding of spare parts.
- in case of damage, actuating elements can be replaced inexpensively.
- if any valve drives have to be altered, replacement is easy and quick

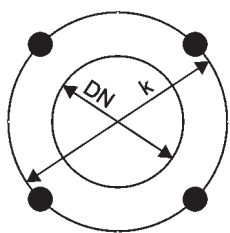
Protection guards (G)

According to machinery directive 2006/42/EG guards are compulsory to shield all moving parts on automated gate valves.

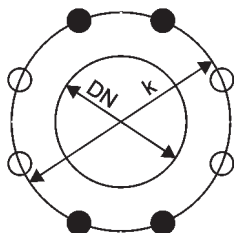
Protection guard of stainless steel.



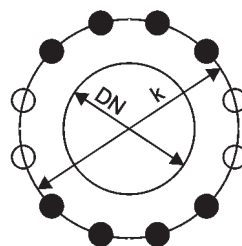
Flange bores for LOHSE COMPACT-valves according to DIN EN 1092-1, PN 10



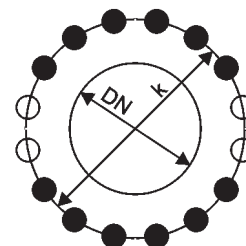
DN 50-65



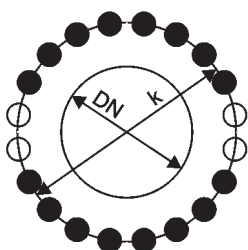
DN 80-200



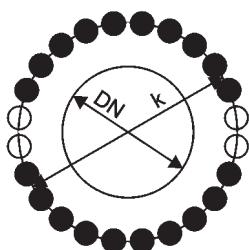
DN 250-300



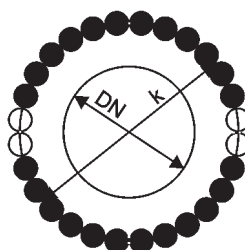
DN 350-400



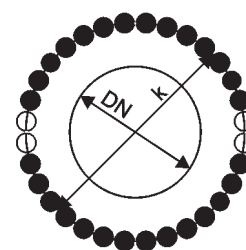
DN 450-600



DN 700-800

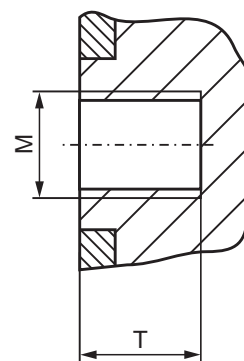


DN 900-1000



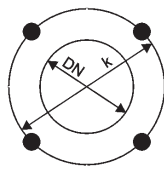
DN 1100-1200

| DN [mm] | K [mm] | Z | M | T [mm] | Z1 | Z2 |
|---------|--------|----|-----|--------|----|----|
| 50 | 125 | 4 | M16 | 12 | 4 | - |
| 65 | 145 | 4 | M16 | 12 | 4 | - |
| 80 | 160 | 8 | M16 | 12 | 4 | 4 |
| 100 | 180 | 8 | M16 | 12 | 4 | 4 |
| 125 | 210 | 8 | M16 | 12 | 4 | 4 |
| 150 | 240 | 8 | M20 | 16 | 4 | 4 |
| 200 | 295 | 8 | M20 | 16 | 4 | 4 |
| 250 | 350 | 12 | M20 | 20 | 8 | 4 |
| 300 | 400 | 12 | M20 | 20 | 8 | 4 |
| 350 | 460 | 16 | M20 | 20 | 12 | 4 |
| 400 | 515 | 16 | M24 | 23 | 12 | 4 |
| 450 | 565 | 20 | M24 | 30 | 16 | 4 |
| 500 | 620 | 20 | M24 | 30 | 16 | 4 |
| 600 | 725 | 20 | M27 | 35 | 16 | 4 |
| 700 | 840 | 24 | M27 | 40 | 20 | 4 |
| 800 | 950 | 24 | M30 | 45 | 20 | 4 |
| 900 | 1050 | 28 | M30 | 45 | 24 | 4 |
| 1000 | 1160 | 28 | M33 | 45 | 24 | 4 |
| 1100 | 1270 | 32 | M33 | 50 | 28 | 4 |
| 1200 | 1380 | 32 | M36 | 55 | 28 | 4 |

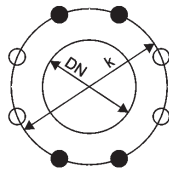


Z = total number of holes
 Z1 = number of joint-holes
 Z2 = number of through-going bores
 T = usable depth of thread

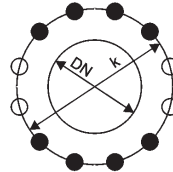
Flange bores for LOHSE COMPACT-valves
according to ANSI B 16.5 Class 150 (≥ DN 700: ANSI B 16.47 Class 150)



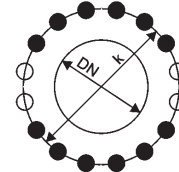
DN 50-80



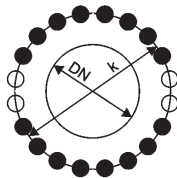
DN 100-200



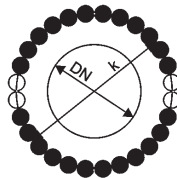
DN 250-350



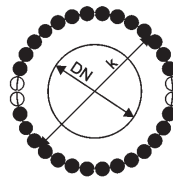
DN 400-450



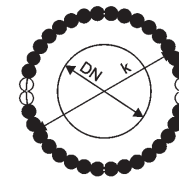
DN 500-600



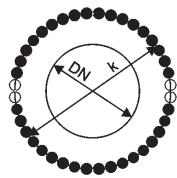
DN 700-800



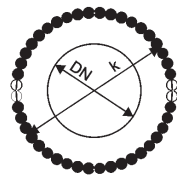
DN 900



DN 1000

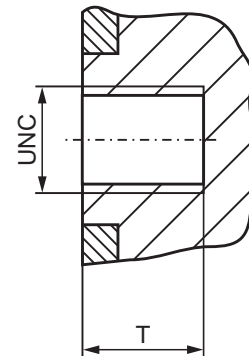


DN 1100



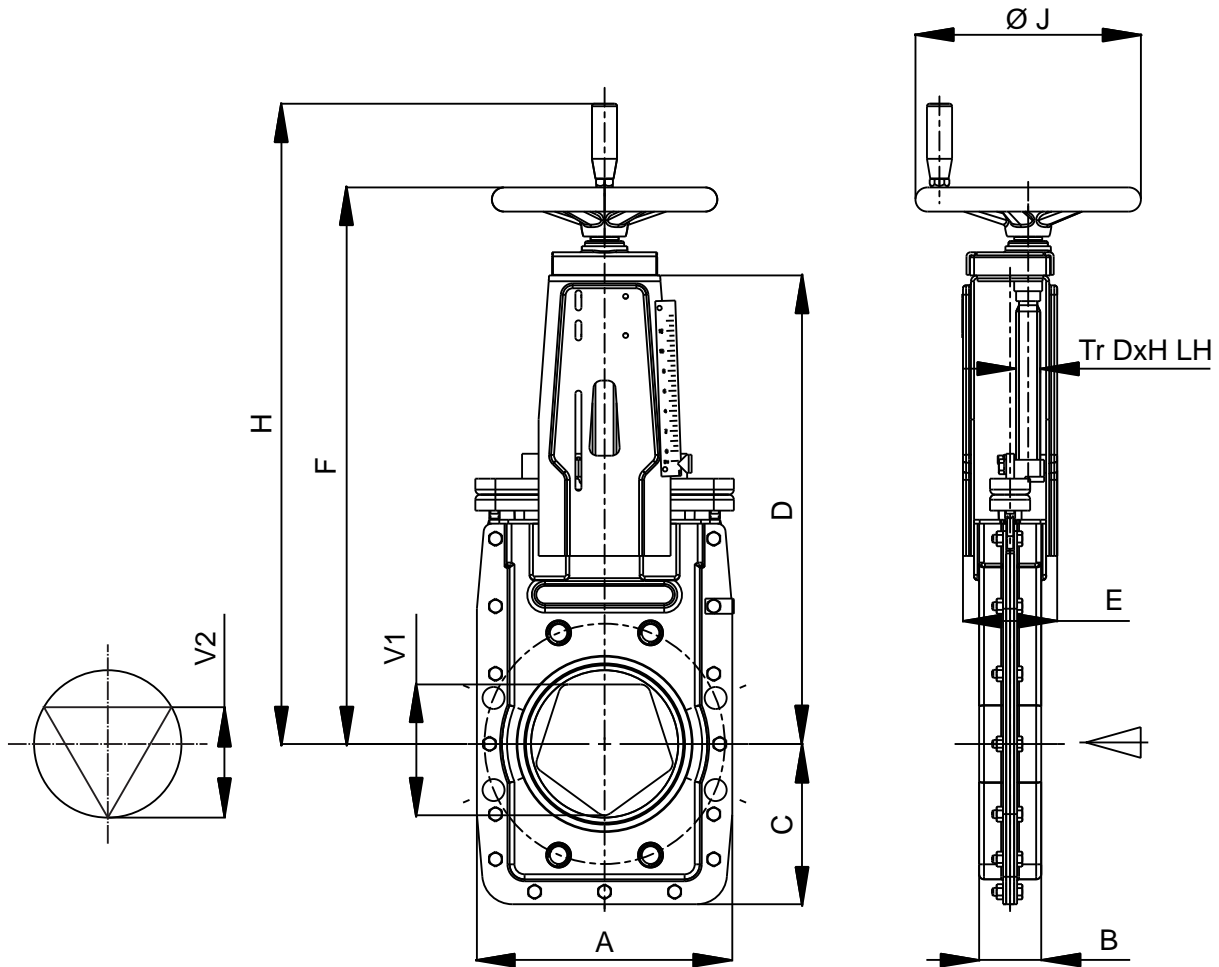
DN 1200

| DN [mm] | DN [inch] | K [mm] | K [inch] | Z | UNC | T [mm] | T [inch] | Z1 | Z2 |
|---------|-----------|--------|----------|----|----------|--------|----------|----|----|
| 50 | 2 | 120.6 | 4 3/4 | 4 | 5/8"-11 | 12 | 0.472 | 4 | - |
| 65 | 2.5 | 139.7 | 5 1/2 | 4 | 5/8"-11 | 12 | 0.472 | 4 | - |
| 80 | 3 | 152.4 | 6 | 4 | 5/8"-11 | 12 | 0.472 | 4 | - |
| 100 | 4 | 190.5 | 7 1/2 | 8 | 5/8"-11 | 12 | 0.472 | 4 | 4 |
| 125 | 5 | 215.9 | 8 1/2 | 8 | 3/4"-10 | 12 | 0.472 | 4 | 4 |
| 150 | 6 | 241.3 | 9 1/2 | 8 | 3/4"-10 | 16 | 0.630 | 4 | 4 |
| 200 | 8 | 298.5 | 11 3/4 | 8 | 3/4"-10 | 16 | 0.630 | 4 | 4 |
| 250 | 10 | 362 | 14 1/4 | 12 | 7/8"-9 | 20 | 0.787 | 8 | 4 |
| 300 | 12 | 431.8 | 17 | 12 | 7/8"-9 | 20 | 0.787 | 8 | 4 |
| 350 | 14 | 476.3 | 18 3/4 | 12 | 1"-8 | 20 | 0.787 | 8 | 4 |
| 400 | 16 | 539.8 | 21 1/4 | 16 | 1"-8 | 23 | 0.910 | 12 | 4 |
| 450 | 18 | 577.9 | 22 3/4 | 16 | 1 1/8"-7 | 30 | 1.181 | 12 | 4 |
| 500 | 20 | 635 | 25 | 20 | 1 1/8"-7 | 30 | 1.181 | 16 | 4 |
| 600 | 24 | 749.3 | 29 1/2 | 20 | 1 1/4"-7 | 35 | 1.378 | 16 | 4 |
| 700 | 28 | 863 | 34 | 28 | 1 1/4"-7 | 40 | 1.575 | 24 | 4 |
| 800 | 32 | 978 | 38 1/2 | 28 | 1 1/2"-6 | 45 | 1.772 | 24 | 4 |
| 900 | 36 | 1086 | 42 3/4 | 32 | 1 1/2"-6 | 45 | 1.772 | 28 | 4 |
| 1000 | 40 | 1200 | 47 1/4 | 36 | 1 1/2"-6 | 45 | 1.775 | 32 | 4 |
| 1100 | 44 | 1314 | 51 3/4 | 40 | 1 1/2"-6 | 50 | 1.969 | 36 | 4 |
| 1200 | 48 | 1422 | 56 | 44 | 1 1/2"-6 | 55 | 2.165 | 40 | 4 |



Z = total number of holes
 Z1 = number of joint-holes
 Z2 = number of through-going bores
 T = usable depth of thread

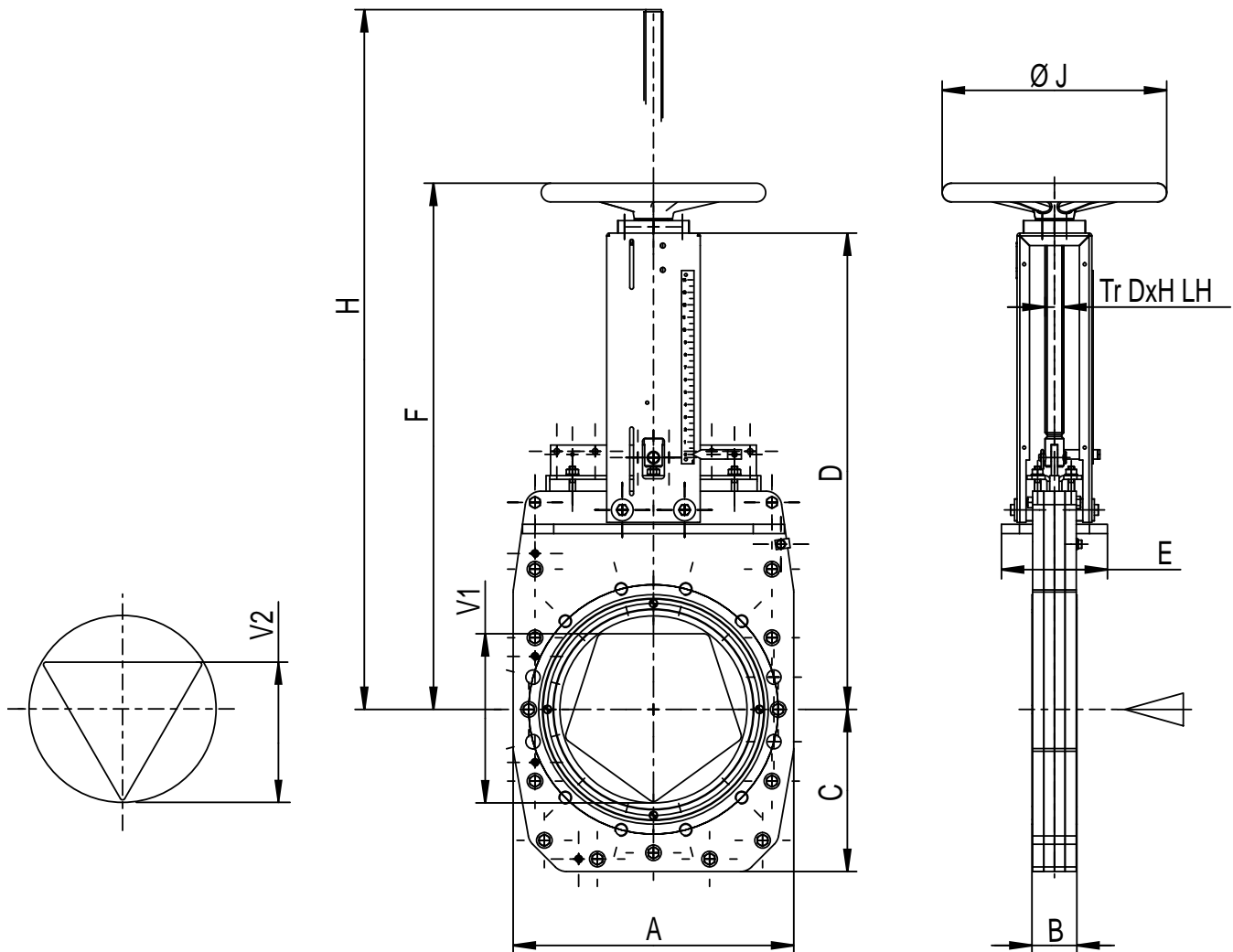
COMPACT-regulating valve with orifice
handwheel drive with non-rising stem



| DN | PS [bar] | A | B | C | D | E | F | H | Ø J | Tr D x H LH | V1 | V2 | weight ~[kg] |
|-------|----------|-----|----|-----|------|-----|------|-----|-----|-------------|-----|-----|--------------|
| 50 | 8 | 185 | 42 | 100 | 313 | 78 | 394 | 478 | 180 | 20 x 4 | 45 | 38 | 9 |
| 65 | 8 | 185 | 42 | 100 | 313 | 78 | 394 | 478 | 180 | 20 x 4 | 59 | 49 | 9 |
| 80 | 8 | 175 | 52 | 125 | 313 | 78 | 395 | 478 | 180 | 20 x 4 | 72 | 49 | 9 |
| *)100 | 8 | 210 | 52 | 135 | 368 | 94 | 456 | 539 | 225 | 24 x 5 | 88 | 73 | 13 |
| *)125 | 8 | 230 | 52 | 145 | 413 | 94 | 500 | 584 | 225 | 24 x 5 | 110 | 92 | 16 |
| *)150 | 8 | 255 | 62 | 160 | 468 | 94 | 556 | 639 | 225 | 24 x 5 | 133 | 110 | 19 |
| 200 | 8 | 328 | 60 | 189 | 557 | 143 | 656 | 739 | 280 | 30 x 6 | 181 | 150 | 38 |
| 250 | 8 | 400 | 68 | 230 | 668 | 166 | 767 | 850 | 280 | 30 x 6 | 226 | 188 | 53 |
| 300 | 6 | 450 | 72 | 260 | 764 | 170 | 869 | - | 360 | 30 x 6 | 271 | 225 | 68 |
| 350 | 6 | 510 | 72 | 290 | 907 | 190 | 998 | - | 360 | 30 x 6 | 317 | 263 | 131 |
| 400 | 6 | 575 | 90 | 326 | 1059 | 190 | 1163 | - | 362 | 30 x 6 | 362 | 300 | 160 |

*) Opening DN - 3mm, full opening on request.
Dimensions in mm, flange dimensions to DIN EN 1092-1, PN 10 or ANSI B 16.5 Class 150 (≥ DN 700: ANSI B 16.47 Class 150).
Further sizes on request.

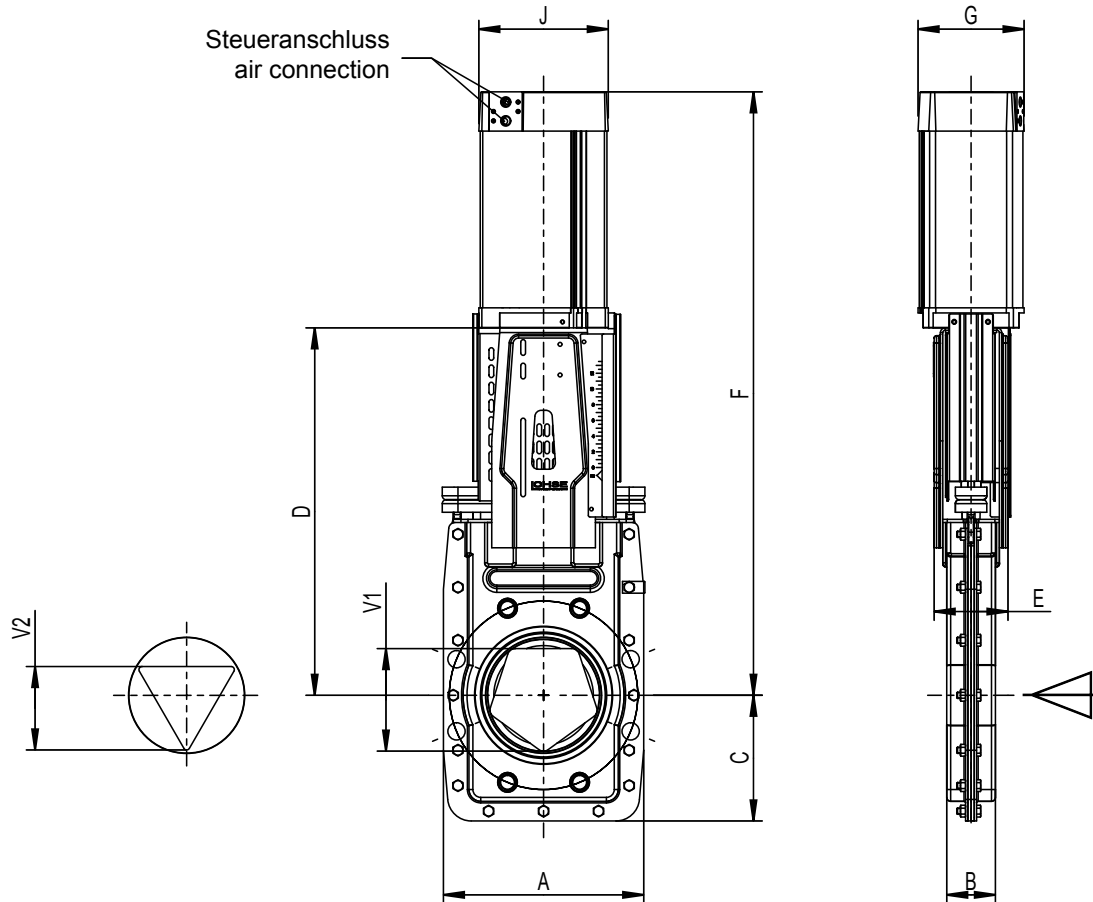
COMPACT-regulating valve with orifice
handwheel drive with rising stem



| DN | PS [bar] | A | B | C | D | E | F | H | Ø J | Tr D x H LH | V1 | V2 | weight ~[kg] |
|-----|----------|-----|-----|-----|------|-----|------|------|-----|-------------|-----|-----|--------------|
| 350 | 6 | 510 | 71 | 290 | 907 | 190 | 1003 | 1355 | 500 | 36 x 6 | 317 | 263 | 102 |
| 400 | 6 | 575 | 90 | 326 | 1059 | 190 | 1155 | 1555 | 500 | 36 x 6 | 362 | 300 | 175 |
| 450 | 4 | 630 | 110 | 310 | 1200 | 208 | 1296 | 1760 | 500 | 36 x 6 | 404 | 334 | |
| 500 | 4 | 700 | 110 | 375 | 1265 | 308 | 1361 | 1975 | 500 | 36 x 6 | 452 | 375 | 280 |
| 600 | 4 | 810 | 130 | 440 | 1495 | 368 | 1591 | 2205 | 640 | 44 x 7 | 543 | 450 | 495 |

Dimensions in mm, flange dimensions to DIN EN 1092-1, PN 10 or ANSI B 16.5 Class 150 (≥ DN 700: ANSI B 16.47 Class 150).
Further sizes on request.

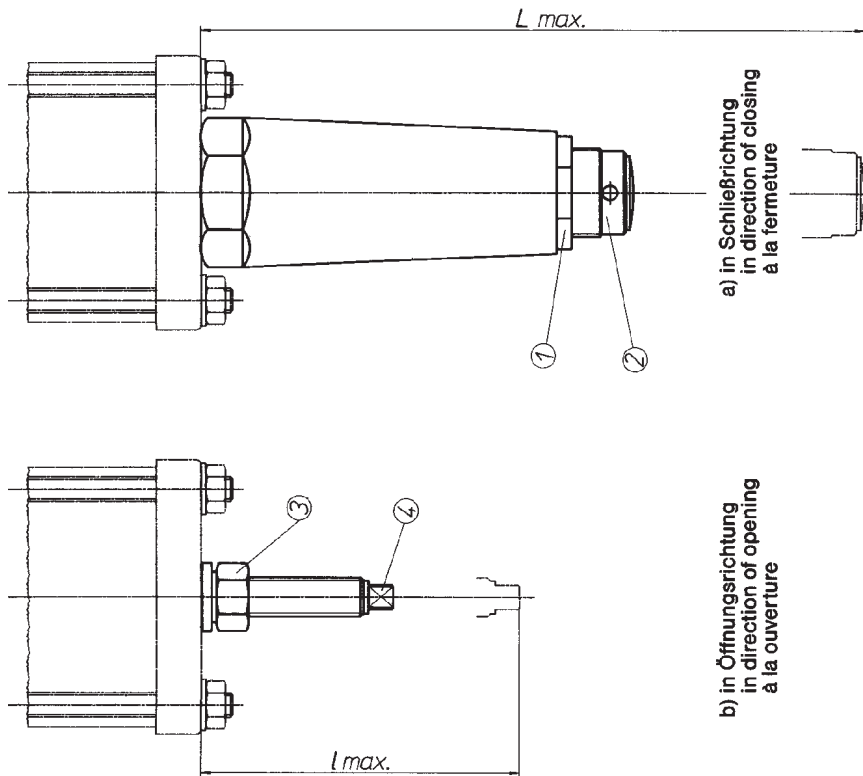
COMPACT-regulating valve with orifice
pneumatic-cylinder and protection guard



| DN | PS [bar] | A | B | C | D | E | F | G | J | cyl Ø | air connection | control pressure [bar] | V1 | V2 | weight ~[kg] |
|-------|----------|-----|-----|-----|------|-----|------|-----|-----|-------|----------------|------------------------|-----|-----|--------------|
| 50 | 8 | 185 | 42 | 100 | 313 | 78 | 495 | 118 | 139 | 100 | G 1/4" | 6 | 45 | 38 | 11.3 |
| 65 | 8 | 185 | 42 | 100 | 313 | 78 | 510 | 118 | 139 | 100 | G 1/4" | 6 | 59 | 49 | 11.4 |
| 80 | 8 | 175 | 52 | 123 | 313 | 78 | 523 | 118 | 139 | 100 | G 1/4" | 6 | 72 | 60 | 11.5 |
| *)100 | 8 | 210 | 52 | 135 | 368 | 94 | 596 | 118 | 139 | 100 | G 1/4" | 6 | 88 | 73 | 17.9 |
| *)125 | 8 | 255 | 52 | 145 | 413 | 94 | 691 | 145 | 165 | 125 | G 1/4" | 6 | 110 | 92 | 21.1 |
| *)150 | 8 | 255 | 62 | 160 | 468 | 94 | 768 | 145 | 165 | 125 | G 1/4" | 6 | 133 | 110 | 29.3 |
| 200 | 8 | 328 | 60 | 190 | 557 | 143 | 917 | 178 | 204 | 160 | G 1/4" | 6 | 181 | 150 | 49.5 |
| 250 | 8 | 400 | 68 | 230 | 668 | 166 | 1069 | 178 | 204 | 160 | G 1/4" | 6 | 226 | 188 | 65.5 |
| 300 | 6 | 450 | 72 | 260 | 764 | 170 | 1224 | 178 | 204 | 160 | G 1/4" | 6 | 271 | 225 | 78 |
| 350 | 6 | 510 | 72 | 290 | 907 | 190 | 1452 | 215 | 244 | 200 | G 1/2" | 6 | 317 | 263 | 141 |
| 400 | 6 | 575 | 90 | 326 | 1059 | 190 | 1650 | 215 | 244 | 200 | G 1/2" | 6 | 362 | 300 | 227 |
| 500 | 4 | 700 | 110 | 375 | 1265 | 228 | 1985 | 242 | 283 | 230 | G 1/2" | 6 | 450 | 375 | |

*) Opening DN - 3mm, full opening on request.
Dimensions in mm, flange dimensions to DIN EN 1092-1, PN 10 or ANSI B 16.5 Class 150 (≥ DN 700: ANSI B 16.47 Class 150);
air connection acc. VDI/VDE 3845 (NAMUR). Further sizes on request.

COMPACT-regulating valve with orifice
pneumatic-cylinder, variable stroke limiter and protection device



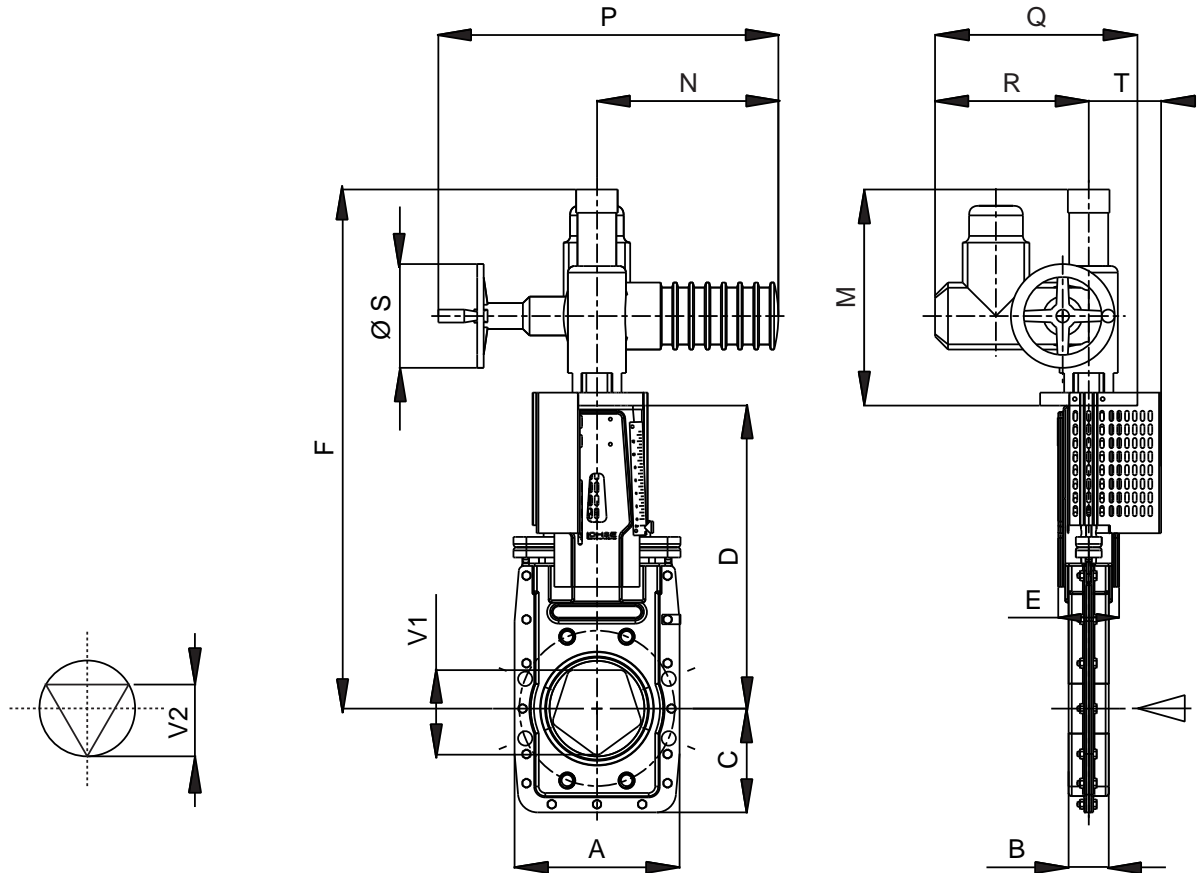
Variable stroke limiter

- In direction of closing: loosen the nut (1), adjust the adjustable pipe (2), tighten the nut (1).
- In direction of opening: loosen the nut (3), adjust the adjustable screw (4) tighten the nut.

| DN | cyl.Ø | in direction of opening | | in direction of closing | |
|-----|-------|-------------------------|---------|-------------------------|---------|
| | | L max ~ | L max ~ | L max ~ | L max ~ |
| 50 | 125 | 140 | | 283 | |
| 65 | 125 | 140 | | 283 | |
| 80 | 125 | 140 | | 283 | |
| 100 | 145 | 190 | | 439 | |
| 125 | 145 | 190 | | 439 | |
| 150 | 175 | 225 | | 439 | |
| 200 | 200 | 225 | | 554 | |

Further sizes on request.

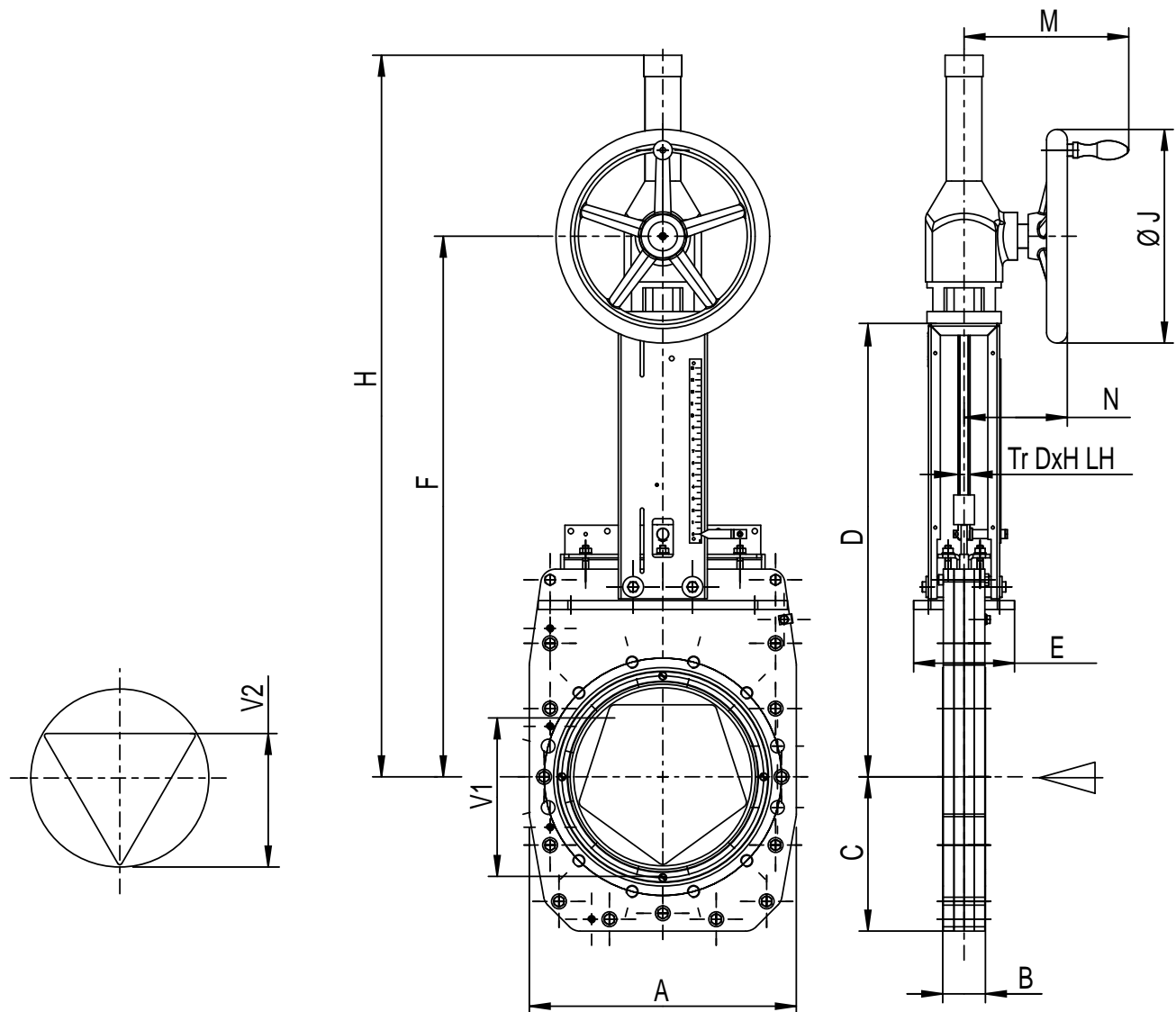
COMPACT-regulating valve with orifice
electric-drive and protection guard



| DN | PS [bar] | A | B | C | D | E | F | M | N | P | Q | R | ØS | T | V1 | V2 | stem Tr DxH | closing time [s] | | weight ~[kg] |
|-------|----------|-----|-----|-----|------|-----|------|-----|-----|-----|-----|-----|-----|-----|-----|-----|-------------|------------------|-----------|--------------|
| | | | | | | | | | | | | | | | | | | pen-tagon | trian-gel | |
| 50 | 8 | 185 | 42 | 100 | 313 | 78 | 646 | 333 | 280 | 515 | 349 | 237 | 160 | 112 | 45 | 38 | 20 x 4 | 66.8 | 55.9 | 31 |
| 65 | 8 | 185 | 42 | 100 | 313 | 78 | 646 | 333 | 280 | 515 | 349 | 237 | 160 | 112 | 59 | 49 | 20 x 4 | 84.5 | 70.9 | 31 |
| 80 | 8 | 175 | 52 | 125 | 313 | 78 | 646 | 333 | 280 | 515 | 349 | 237 | 160 | 112 | 72 | 60 | 20 x 4 | 103.6 | 85.9 | 31 |
| *)100 | 8 | 210 | 52 | 135 | 368 | 94 | 701 | 333 | 280 | 515 | 349 | 237 | 160 | 112 | 88 | 73 | 24 x 5 | 102.5 | 85.0 | 35 |
| *)125 | 8 | 230 | 52 | 145 | 413 | 94 | 746 | 333 | 280 | 515 | 349 | 237 | 160 | 112 | 110 | 92 | 24 x 5 | 126.5 | 105.8 | 37 |
| *)150 | 8 | 255 | 62 | 160 | 468 | 94 | 801 | 333 | 280 | 515 | 349 | 237 | 160 | 112 | 133 | 110 | 24 x 5 | 151.6 | 127.6 | 41 |
| 200 | 8 | 328 | 60 | 190 | 557 | 143 | 902 | 345 | 355 | 536 | 373 | 247 | 200 | 126 | 181 | 150 | 30 x 6 | 167.3 | 113.1 | 65 |
| 250 | 8 | 400 | 68 | 230 | 668 | 166 | 1013 | 345 | 355 | 536 | 373 | 247 | 200 | 126 | 226 | 188 | 30 x 6 | 208.2 | 173.6 | 80 |
| 300 | 6 | 450 | 72 | 260 | 764 | 170 | 1202 | 438 | 355 | 536 | 373 | 247 | 200 | 126 | 271 | 225 | 30 x 6 | 249.1 | 207.3 | 95 |
| 350 | 6 | 510 | 72 | 290 | 907 | 190 | 1350 | 443 | 355 | 536 | 389 | 247 | 200 | 142 | 317 | 263 | 36 x 6 | 200.0 | 166.3 | 130 |
| 400 | 6 | 575 | 90 | 326 | 1059 | 190 | 1602 | 543 | 355 | 536 | 393 | 247 | 200 | 146 | 362 | 300 | 36 x 6 | 228.2 | 189.4 | 195 |
| 500 | 4 | 700 | 110 | 375 | 1265 | 228 | 1873 | 608 | 380 | 695 | 373 | 285 | 315 | 146 | 452 | 375 | 36 x 6 | 289.9 | 236.3 | 383 |

*) Opening DN - 3mm, full opening on request.
Dimensions in mm, flange dimensions to DIN EN 1092-1, PN 10 or ANSI B 16.5 Class 150 (≥ DN 700: ANSI B 16.47 Class 150).
Further sizes on request.

COMPACT-regulating valve with orifice
bevel gear box and handwheel



| DN | PS [bar] | A | B | C | D | E | F | H | ØJ | N | M | V1 | V2 | Tr D x H LH | weight ~[kg] |
|-----|----------|-----|-----|-----|------|-----|------|------|-----|-----|-----|-----|-----|-------------|--------------|
| 150 | 8 | 255 | 62 | 160 | 468 | 94 | 615 | 765 | 360 | 174 | 278 | 133 | 110 | 24 x 5 | |
| 200 | 8 | 328 | 60 | 190 | 557 | 143 | 704 | 909 | 360 | 174 | 278 | 181 | 150 | 30 x 6 | 52 |
| 250 | 8 | 400 | 68 | 230 | 668 | 166 | 815 | 1070 | 360 | 174 | 278 | 226 | 188 | 30 x 6 | 70 |
| 300 | 6 | 450 | 72 | 260 | 764 | 170 | 911 | 1216 | 360 | 174 | 278 | 271 | 225 | 30 x 6 | 84 |
| 350 | 6 | 520 | 72 | 290 | 907 | 190 | 1059 | 1414 | 400 | 185 | 295 | 317 | 263 | 36 x 6 | 115 |
| 400 | 6 | 578 | 90 | 326 | 1059 | 190 | 1211 | 1611 | 400 | 185 | 295 | 362 | 300 | 36 x 6 | 155 |
| 500 | 4 | 700 | 110 | 375 | 1268 | 222 | 1455 | 1947 | 400 | 222 | 339 | 445 | 371 | 36 x 6 | |
| 600 | 4 | 810 | 130 | 450 | 1495 | 222 | 1685 | 2250 | 400 | 222 | 340 | 540 | 446 | 44 x 7 | |

Dimensions in mm, flange dimensions to DIN EN 1092-1, PN 10 or ANSI B 16.5 Class 150 (≥ DN 700: ANSI B 16.47 Class 150).
Further sizes on request.

Germany + Switzerland

MARTIN LOHSE GmbH
Postfach 1565
89505 Heidenheim
Phone: +49 (0) 73 21 / 7 55-0
Fax: +49 (0) 73 21 / 7 55-99
server.ab@lohse-gmbh.de
www.lohse-gmbh.de

Australia, New Zealand, Indonesia, Singapore, Malaysia

P.T. VOITH PAPER
Jl. Permata V Lot EE - 1
Kawasan Industri KIIC
Karawang 41361, INDONESIA
Phone : +62 267 419 719
Fax : +62 267 419 717

Austria (pulp + paper industry, wastewater + wastewater treatment plants) + CZ, SK, SLO, SRB, HR, H

Peter Reiter
Handel Mazzetti-Str. 85
3100 St. Pölten
Phone: +43 (0) 27 42 / 7 73 66
Fax: +43 (0) 27 42 / 7 73 66
fa.reiter@aon.at

Austria

Klinger Gebetsroither GmbH & Co KG
Am Kanal 8-10
2352 Gumpoldskirchen
Phone: +43 2252 60 71 00 3029
Fax: +43 2252 60 71 00 3010
gerhard.praxmarer@gebetsroither.at
www.gebetsroither.at

Belgium

Hanwel Belgium N.V.
Winninglaan 15
9140 Temse
Phone: +32 (0) 3 / 7 11 03 53
Fax: + 32 (0) 3 / 7 11 05 79
info@hanwel.be
www.hanwel.be

Chile

INTERTECH
Prat 116, Of 31
Curicó, Chile
phone +56.075.322033
www.inter-tech.cl
n.flores@inter-tech.cl

People's Rep. Of China

Shanghai Fier Mechanical Co. LTD
Room B4, 15/F HuaFu Bldg.
No. 585 LongHua xi Rd.
ShangHai, China 200232
Phone: +86-21-54591038
Fax: +86-21-54240616
MP: 13611665381
shfier@163.com
www.fier.com.cn

Denmark

Uni-Valve A/S
Sydvestvej 138 – 140
2600 Glostrup
Phone: +45 (0) 43 43 82 00
Fax: +45 (0) 43 43 74 75
mail@uni-valve.com
www.uni-valve.com

Finland

Klinger Finland Oy
Aseko
Tinankuja 3
02430 Masala
Phone: +358 (0) 10 400 10 12
Fax: +358 (0) 10 400 12 00
info@aseko.fi
www.aseko.fi

France, MA, TN, DZ

T.N.P.
30 avenue Galliéni
94100 Saint-Maur
Phone: +33 (0) 1 / 55 97 11-11
Fax: +33 (0) 1 / 48 83 52 07
contact@tnp.fr
www.tnp.fr

Great Britain

Voith Turbo Ltd.
6 Beddington Farm Road
Croydon, Surrey CRO, 4XB
Phone: +44 (0) 2 08 / 6 67 30 13
Fax: +44 (0) 2 08 / 6 67 04 03
matthew.healy@voith.com

Greece

Niko Mikopoulos, BSc.
Metron Str. 28
17123 Nea Smyrni-Athens
Phone: +30 6 98 305 10 70
n.mikopoulos@nm-bc.com

India

Antrieb Technik Private Limited
59 (old 359) Sidco Industrial Estate
Ambattur
Chennai-600 098
Tamilnadu / INDIA
Phone: +91 (44) 262 – 58303
Fax: +91 (44) 2819 – 3718
antrieb.technik@gmail.com

Israel

P.B.A Wiesner Agencies Ltd.
P. O. Box 4622
Petach-Tikva 49277
Phone: +972 (0) 3 / 9 05 21 11
Fax: +972 (0) 3 / 9 05 21 10
ofra@pba.co.il

Italy

Techno Paper S.R.L.
Viale Certosa 269
20151 Milano (MI)
Phone: +39 (0) 02 78627750
Fax: +39 (0) 02 45471638
info@techno-paper.com
www.techno-paper.com

Japan

Voith IHI Paper Technology Co.Ltd.
River City M-SQUARE 7F
2-1-6 Tsukuda, Chuo-ku
1040051 Tokyo
Phone: +81 3 6221 3108
Fax: +81 3 6221 3126

Korea

C.S-Automation Co., Ltd. (Customer Satisfaction Automation)
#804 Sejung Technovalley
279-5 Songjeong-Dong
Heungdeok-Gu
Cheongju-Si
South Korea. 361-290
Phone: +82 43 276 1332
Fax: +82 43 278 1332
changseol@korea.com

Netherlands

Hanwel B. V.
Jan Tinbergenstraat 209
7559 SP Hengelo
The Netherlands
Phone: +31 74-2650000
Fax: +31 74-2650001
verkoop@hanwel.com
www.hanwel.com

Norway

KSB Norge AS
Haugenveien 29
1400 SKI
Phone: +47 96 900 900
firmapost@ksb.com
www.ksb.com/ksb-no

Philippines

R. Dan and Co., Inc.
20 Alfonso St.
Rosario
Pasig City 1609
Phone: +632 – 6558796
Fax: +632 – 6562089
ester.poe@robertdan.com.ph
www.robertdan.com.ph

Poland

Waldemar Kulicki
ul. Heweliusza 37/4
87-148 Papowo Toruńskie
Phone: +48 56 / 6783399
Fax: +48 56/ 6783880
waldemar-kulicki@wp.pl
www.wkulicki.eu

Rep. of South Africa

Voith Turbo (Pty) Ltd
P.O. Box 13171
Witfield, 1467
Gauteng, SOUTH AFRICA
Phone: +27 11 418 4000
Fax: +27 11 418 4080
info.vtza@voith.com
www.rsa.voithturbo.com

Spain, Portugal

CELPAP EQUIPOS, S.L.
C/Amposta, 14-18
08174 Sant Cugat del Vallés
(Barcelona)
Phone +34 93 415 18 75
celpap@celpap.com
www.celpap.com

Sweden

PA-Ventiler AB
Sagbäcksvägen 3B
43736 Lindome
Phone: +46 (0) 31 / 99 25 00
Fax: +46 (0) 31 / 99 25 03
info@paventiler.se
www.paventiler.se

Taiwan

E-Chen Engineering Co., Ltd.
3F-3, No. 151, Sec. 4,
Hsin-Yi Road,
Taipei, Taiwan, R.O.C.
Phone: +886 (0) 22 / 7056185
Fax: +886 (0) 22 / 7 04 59 67
echen123@ms15.hinet.net

Thailand

Weston Myer Ltd.
8 Soi Seri-Thai 58
Seri-Thai Road
10510 Minburi Bangkok
Phone: +66 (0) 2 / 3 74 58 69
Fax: +66 (0) 2 / 3 75 – 11 79
comm1@westonmyer.com

Turkey

Sanrep Kağıt San. ve Tic. Ltd. Şti.
Altıyol, Kuşdili Caddesi No:19/7
H.Fazlıoğlu İş Merkezi
34714 Kadıköy – İSTANBUL
Phone: +90 216 345 40 48
Fax: +90 216 330 73 12
sanrep@sanrep.com
www.sanrep.com

USA, Canada, Mexico

Voith Paper Inc.
2200 N. Roemer Rd.
Appleton, WI 54912-2237
Phone: +1 (0) 920 – 358 – 2486
Fax: +1 (0) 920 – 221 – 8904
igor.figureira@voith.com