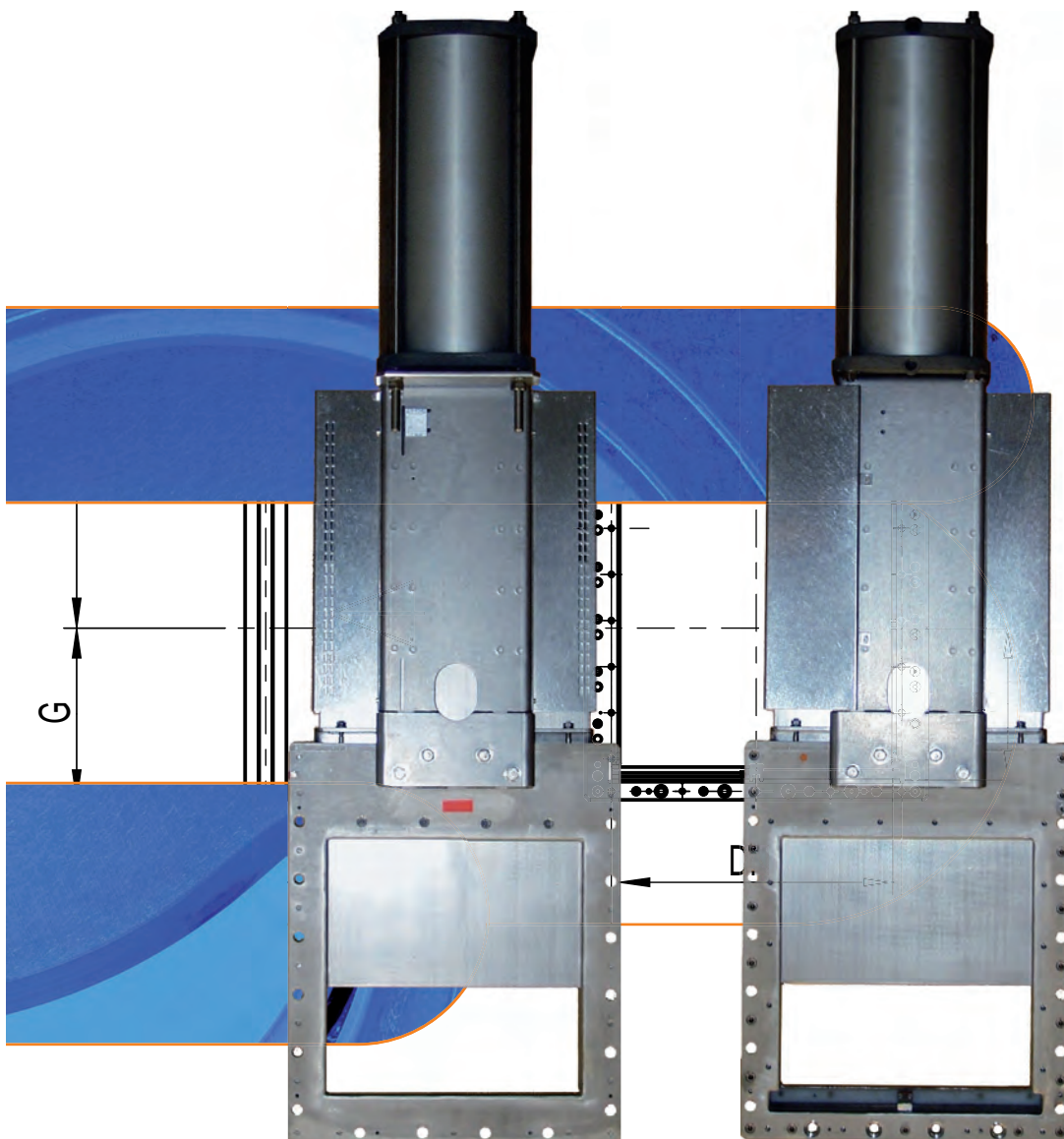


Valves of stainless steel

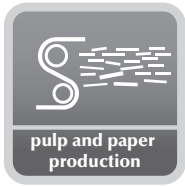
Reject Valves

SAQP/G



MARTIN LOHSE GmbH
Unteres Paradies 63 · D-89522 Heidenheim
phone +49 7321 755-42
sales@lohse-gmbh.de
www.lohse-gmbh.de

Applications



General usage

- media with reject fraction
- coarse-grained media (granular material)
- fine-grained media (powder)
- temperature range -10 to 80° C

Locations

- pulper drain unit
- discharging device
- dumping and emptying devices

Description

- Valves of stainless steel with square inlet and outlet.
- Square design.
- Extended outlet space for unhindered discharge of reject.
- Valve plate in stainless steel, prepared for mounting the switch button of end position control unit.
- Valve plate guide by slide cups and slide borders guarantees maximum slip.
- Replaceable sliding components.

Watertight

Leak test according to DIN EN 12266-02:2012-04
Table A5, test medium liquid, leakage rate A

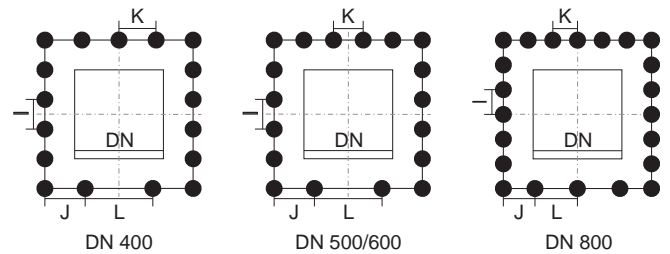
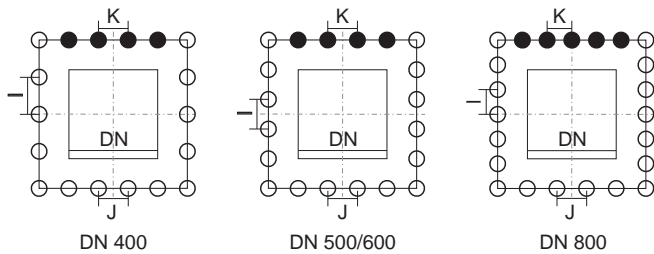
Materials

- housing 1.4571
- valve plate 1.4571
- sealings EPDM
- slide borders RCH 1000
(ultra-high molecular weight low pressure polyethylene)
- bracket St 37
- max. operating pressure 4 bar
- max. operating temperature 80° C

Flange bores for LOHSE SAQ-valves with metric thread according to LOHSE standard

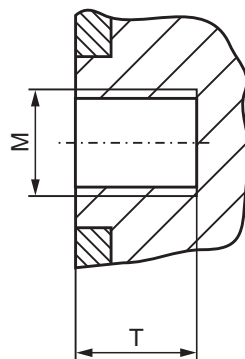
Inlet side

Outlet side



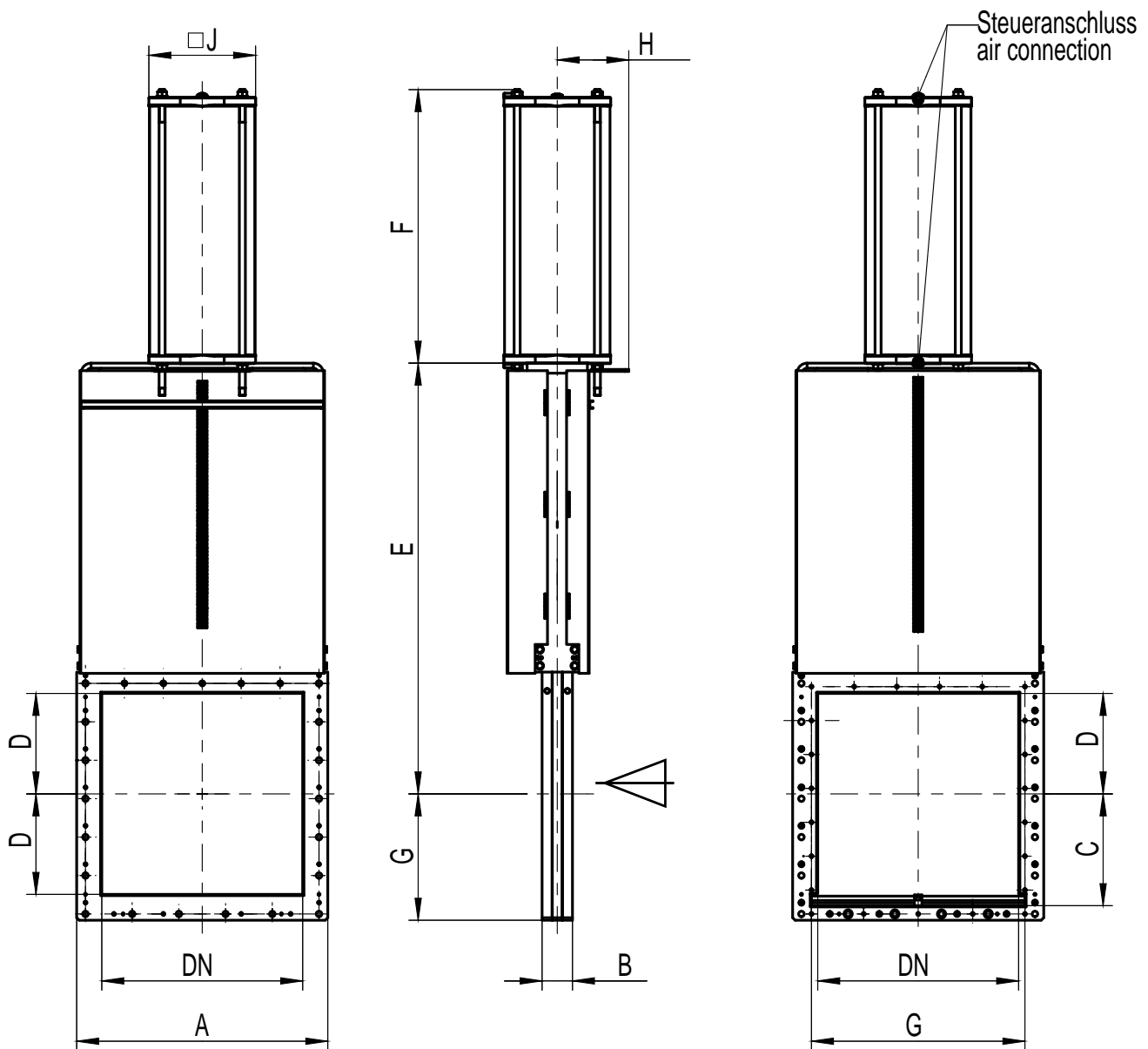
DN [mm]	Z	M	T [mm]	Z1	Z2	l [mm]	J [mm]	K [mm]
400	18	M16	21	4	14	125	103	103
500	20	M20	16	4	16	113	123	123
600	20	M20	16	4	16	132	145	145
800	23	M20	23	5	18	153	186	155

DN [mm]	Z	M	T [mm]	Z1	l [mm]	J [mm]	K [mm]	L [mm]
400	17	M12	15	17	99	130	110	180
500	18	M12	15	18	122	150	109	246
600	18	M12	17	18	150	187	131	290
800	23	M12	20	23	135	208	170	217



Z = total number of holes
 Z1 = number of joint-holes
 Z2 = number of through-going bores
 T = usable depth of thread

Reject valves of stainless steel
square inlet and outlet
pneumatic cylinder and protection guard



DN	PS [bar]	A	B	C	D	E	F	G	H	J	cyl. Ø	air connection	control pressure
400	4	555	94	240	200	968	610	290	200	318	300	G 1/2"	6
500	2.5	655	96	290	250	1179	721	350	285	425	400	G 3/4"	6
600	2	765	95	340	300	1348	823	400	285	425	400	G 3/4"	6
800	1.5	1000	121	445	400	1715	1089	503	420	645	500	G 3/4"	6

Dimensions in mm, flange bores to on request.
Further sizes on request.

Germany + Switzerland

MARTIN LOHSE GmbH
Unteres Paradies 63
89522 Heidenheim
Phone: +49 7321 755-0
sales@lohse-gmbh.de
www.lohse-gmbh.de

Australia, New Zealand, Indonesia, Singapore, Malaysia

P.T. VOITH PAPER
Jl. Permata V Lot EE - 1
Kawasan Industri KIIC
Karawang 41361, INDONESIA
Phone : +62 267 419 719
Fax : +62 267 419 717

Austria (Papier- + Zellstoffindustrie, Abwasser + Kläranlagen) + CZ, SK, SLO, SRB, HR, H

Peter Rejter
Handel Mazzetti-Str. 85
3100 St. Pölten
Phone: +43 2742 77366
Fax: +43 2742 77366
office@industriearmaturen.at

Austria

Klinger Gebetsroither GmbH & Co KG

Am Kanal 8-10
2352 Gumpoldskirchen
Phone: +43 2252 60 71 00 3029
Fax: +43 2252 60 71 00 3010
gerhard.praxmarer@gebetsroither.at
www.gebetsroither.at

Belgium

Hanwel Belgium N.V.
Winninglaan 15
9140 Temse
Phone: +32 3 7110353
Fax: + 32 3 7110579
info@hanwel.be
www.hanwel.be

Chile

INTERTECH
Prat 116, Of 31
Curicó, Chile
phone +56.075.322033
www.inter-tech.cl
n.flores@inter-tech.cl

People's Rep. Of China

Shanghai Fier Mechanical Co. LTD
Room B4, 15/F HuaFu Bldg.
No. 585 LongHua xi Rd.
ShangHai, China 200232
Phone: +86 21 54591038
Fax: +86 21 54240616
MP: 13611665381
shfier@163.com
www.fier.com.cn

Denmark

Uni-Valve A/S
Sydvestvej 138 – 140
2600 Glostrup
Phone: +45 43 438200
Fax: +45 43 437475
mail@uni-valve.com
www.uni-valve.com

Finland

KLINGER Finland Oy
Tinankuja 3
02430 Masala
Phone: +358 10 4001011
info@klinger.fi
www.klinger.fi

France, MA, TN, DZ

T.N.P.
30 Boussegré
58140 Lormes
Phone: +33 1 559711-11
Fax: +33 1 48835207
contact@tnp.fr
www.tnp.fr

Great Britain

Voith Turbo Ltd.
6 Beddington Farm Road
Croydon, Surrey CRO, 4XB
Phone: +44 208 6673013
Fax: +44 208 6670403
matthew.healy@voith.com

Greece

Niko Mikopoulos, BSc.
Metron Str. 28
17123 Nea Smyrni-Athens
Phone: +30 6 98 305 10 70
n.mikopoulos@nm-bc.com

India

Antrieb Technik Private Limited
59 (old 359) Sidco Industrial Estate
Ambattur
Chennai-600 098
Tamilnadu / INDIA
Phone: +91 44 262-58303
Fax: +91 44 2819-3718
antrieb.technik@gmail.com

Israel

P.B.A Wiesner Agencies Ltd.
P. O. Box 4622
Petach-Tikva 49277
Phone: +972 3 9052111
Fax: +972 3 9052110
ofra@pba.co.il

Italy

Techno Paper S.R.L.
Viale Certosa 269
20151 Milano (MI)
Phone: +39 02 78627750
Fax: +39 02 45471638
info@techno-paper.com
www.techno-paper.com

Japan

Voith IHI Paper Technology Co.Ltd.
River City M-SQUARE 7F
2-1-6 Tsukuda, Chuo-ku
1040051 Tokyo
Phone: +81 3 6221 3108
Fax: +81 3 6221 3126

Korea

C.S-Automation Co., Ltd. (Customer Satisfaction Automation)
#804 Sejung Technovalley
279-5 Songjeong-Dong
Heungdeok-Gu
Cheongju-Si
South Korea. 361-290
Phone: +82 43 276 1332
Fax: +82 43 278 1332
changseol@korea.com

Netherlands

Hanwel B. V.
Jan Tinbergenstraat 209
7559 SP Hengelo
The Netherlands
Phone: +31 74 2650000
Fax: +31 74 2650001
verkoop@hanwel.com
www.hanwel.com

Norway

KS Norge AS
Holtbråtveien 69
1449 Drøbak
Phone: +47 917 19995
firmapost@ksb.com
www.ksb.com/en-no

Philippines

R. Dan and Co., Inc.
Lot 6-9 Block 5 Greenway Business
Park
Bulihan, Silang,
Cavite Philippines 4118
Phone: +63 960 690 0244
ester.poe@robertdan.com.ph
www.robertdan.com.ph

Poland

Waldemar Kulicki
ul. Heweliusza 37/4
87-148 Papowo Toruńskie
Phone: +48 509 46 64 25
waldemar-kulicki@wp.pl
www.wkulicki.eu

Rep. of South Africa

Voith Turbo (Pty) Ltd
P.O. Box 13171
Witfield, 1467
Gauteng, SOUTH AFRICA
Phone: +27 11 418 4000
Fax: +27 11 418 4080
info.vtza@voith.com
www.rsa.voithturbo.com

Spain, Portugal

CELPAP EQUIPOS, S.L.
C/Amposta, 14-18
08174 Sant Cugat del Vallés
(Barcelona)
Phone +34 93 415 18 75
celpap@celpap.com
www.celpap.com

Sweden

PA-Ventiler AB
Sagbäcksvägen 3B
43736 Lindome
Phone: +46 31 992500
Fax: +46 31 992503
info@paventiler.se
www.paventiler.se

Switzerland

dampfEXPERTE GmbH
Häsiweg 33
5018 Erlinsbach
Phone: +41 62 5448090
roger.fehr@dampfexperte.ch
www.dampfexperte.ch

Taiwan

E-Chen Engineering Co., Ltd.
3F-3, No. 151, Sec. 4,
Hsin-Yi Road,
Taipei, Taiwan, R.O.C.
Phone: +886 22 7056185
Fax: +886 22 7045967
echen123@ms15.hinet.net

Thailand

Weston Myer Ltd.
8 Soi Seri-Thai 58
Seri-Thai Road
10510 Minburi Bangkok
Phone: +66 2 3745869
Fax: +66 2 375-1179
comm1@westonmyer.com

Turkey

Sanrep Kağıt San. ve Tic. Ltd. Şti.
Altiyol, Kuşdili Caddesi No:19/7
H.Fazlıoğlu İş Merkezi
34714 Kadıköy – İSTANBUL
Phone: +90 216 345 40 48
Fax: +90 216 330 73 12
sanrep@sanrep.com
www.sanrep.com

USA, Canada, Mexico

Voith Paper Inc.
2200 N. Roemer Rd.
Appleton, WI 54912-2237
Phone: +1 920 – 358 – 2396
Fax: +1 920 – 731 – 5126
VPAWSpareParts@voith.com