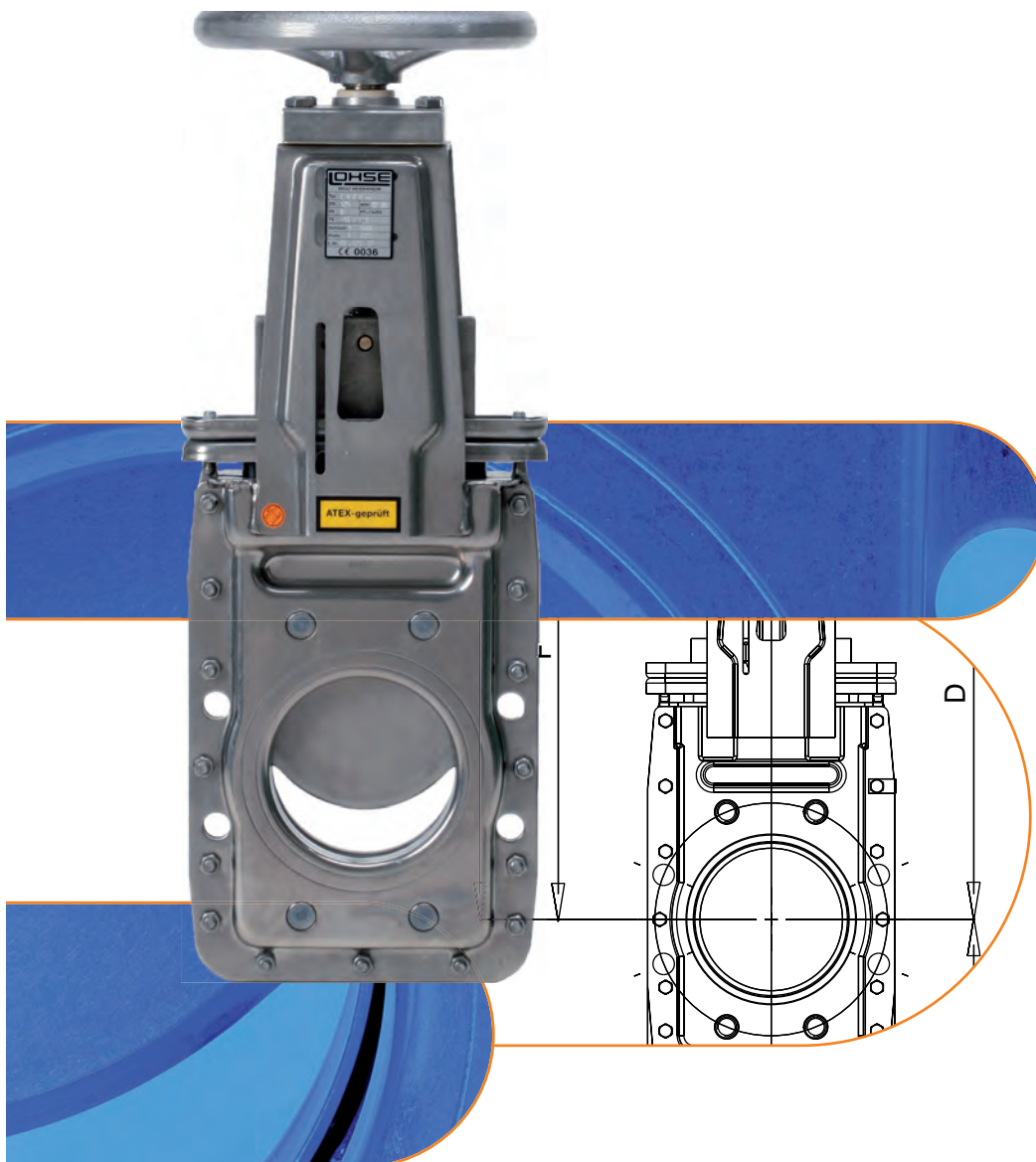


Valves of stainless steel · COMPACT-Program

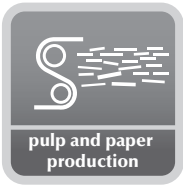
Shut-Off-Valves

CNA 50 – 1000 mm



MARTIN LOHSE GmbH
Unteres Paradies 63 · D-89522 Heidenheim
phone +49 7321 755-42
sales@lohse-gmbh.de
www.lohse-gmbh.de

Applications



Paper industry and chemical industry

LOHSE COMPACT-gate valves have proved their value and reliability in all branches of paper and chemical industries. CNA-valves are “shut-off” type valves. The type is suitable for shut-off of stock and aggressive media.



Industrial sewage treatment

When LOHSE COMPACT-gate valves of acid resistant stainless steel are installed in waste water treatment plants, the need to use expensive isolation appliances to guard against contact-corrosion is removed.



Food industry

LOHSE COMPACT-gate valves are widely used as shut-off valves for viscous and glutinous media as for instance in salt works, sugar mills, wine making industry, breweries etc.

In special designs, the non-metallic components of the LOHSE valves can be equipped with FDA-approved components. The respective suitability must be checked for each application



Biogas Industry

In biogas plants LOHSE shut-off-valves find a use to shut-off the input pipes with high-viscosity, low-viscosity and aggressive medium e.g. silage, dung, liquid manure, vegetables and food and suspensions of this. These valves are tolerant against impurities.

Special models

For special applications, we can supply special valves constructed of various materials for differing temperatures, pressures and sealing properties to suit the particular application.

Construction

Housings entirely of stainless steel

- pressed steel design
- corrosion and acid resistant
- light
- easy to maintain
- the handwheel support also serves as a mounting for any switchgear or control apparatus

Slide guides of special plastic

- abrasion resistant
- excellent anti-friction properties
- temperature resistant
- acid resistant
- easily replaceable

Valve plate of stainless steel

- specially shaped to prevent depositing stock
- built in strength to resist water pressure vibration

Bore cross section = nominal diameter of piping

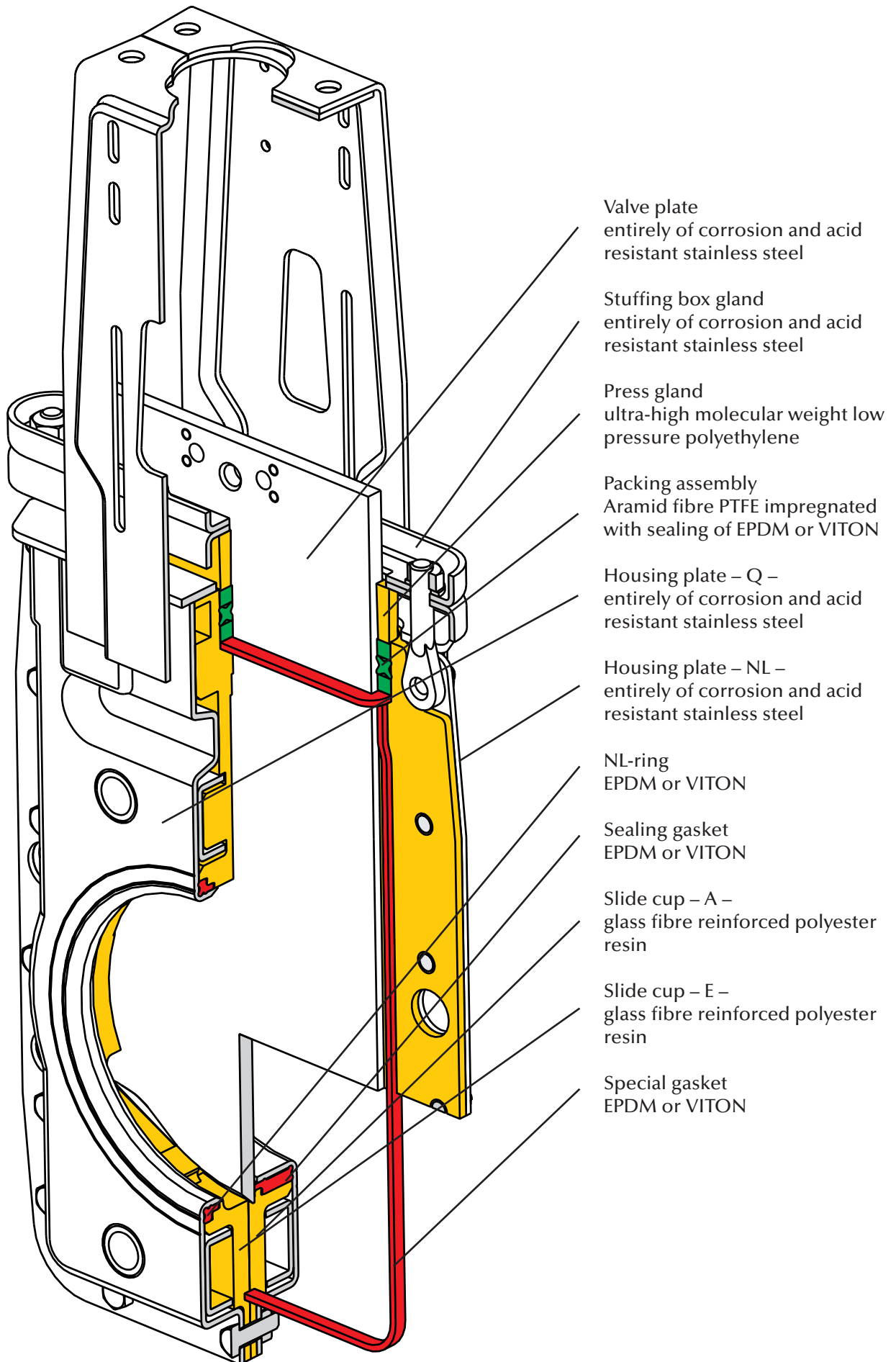
- no stringing of fibres is possible

Actuating elements in well-proved LOHSE modular system

- interchangeable on all valves of our make
- also interchangeable on the incorporated existing valve
- reduced stock holding

100 % water-tight

- seals resistant to temperature and acids
- seals easily replaceable but firmly anchored in the valve housing
- Leak test according to DIN EN 12266-02:2012-04 Table A5, test medium liquid, leakage rate A



Valve plate
entirely of corrosion and acid
resistant stainless steel

Stuffing box gland
entirely of corrosion and acid
resistant stainless steel

Press gland
ultra-high molecular weight low
pressure polyethylene

Packing assembly
Aramid fibre PTFE impregnated
with sealing of EPDM or VITON

Housing plate – Q –
entirely of corrosion and acid
resistant stainless steel

Housing plate – NL –
entirely of corrosion and acid
resistant stainless steel

NL-ring
EPDM or VITON

Sealing gasket
EPDM or VITON

Slide cup – A –
glass fibre reinforced polyester
resin

Slide cup – E –
glass fibre reinforced polyester
resin

Special gasket
EPDM or VITON

Materials

- housing
 - DN 50 – 250 1.4404
 - DN 300 – 600 1.4307
 - DN 700 – 1000 1.4571
- flanging ring
 - DN 300 – 1000 1.4571
- valve plate 1.4571
- slide cups
 - DN 50 – 250 GRP
 - DN 300 – 600 PP
- sealing EPDM, VITON or NBR
- slide parts
 - DN 700 – 1000 CuSn6 / CuAL10Ni
- stuffing box gland
 - DN 50 – 150 1.4301
 - DN 200 – 450 1.4541
 - DN 500 – 600 1.4301
 - DN 700 – 1000 1.4571
- packing assembly
 - packing aramid fibre with impregnation of PTFE
 - p-ring EPDM, VITON or NBR
- press gland
 - DN 50 -150 PE-HMW
- bracket 1.4301
- screws / nuts A2
- max. operating pressure
 - DN 50 – 250 10 bar
 - DN 300 – 500 6 bar
 - DN 600 4 bar
 - DN 700 – 1800 3 bar
- max. operating temperature with sealing of
 - NBR 105° C
 - EPDM 120° C
 - VITON 200° C

Operating elements – the LOHSE modular system

All LOHSE COMPACT-valves comprise the following **main groups**:

- valve body type: CNA
- operating elements type Hns, H, P, PV, E, GK, K, X

All elements are interchangeable for any given size. Thereby the connections of brackets as well as the coupling of actuator and valve plate will be removed and fixed again after the exchange. No removal of incorporated valve body (notice safety rules – pipes must be pressureless).

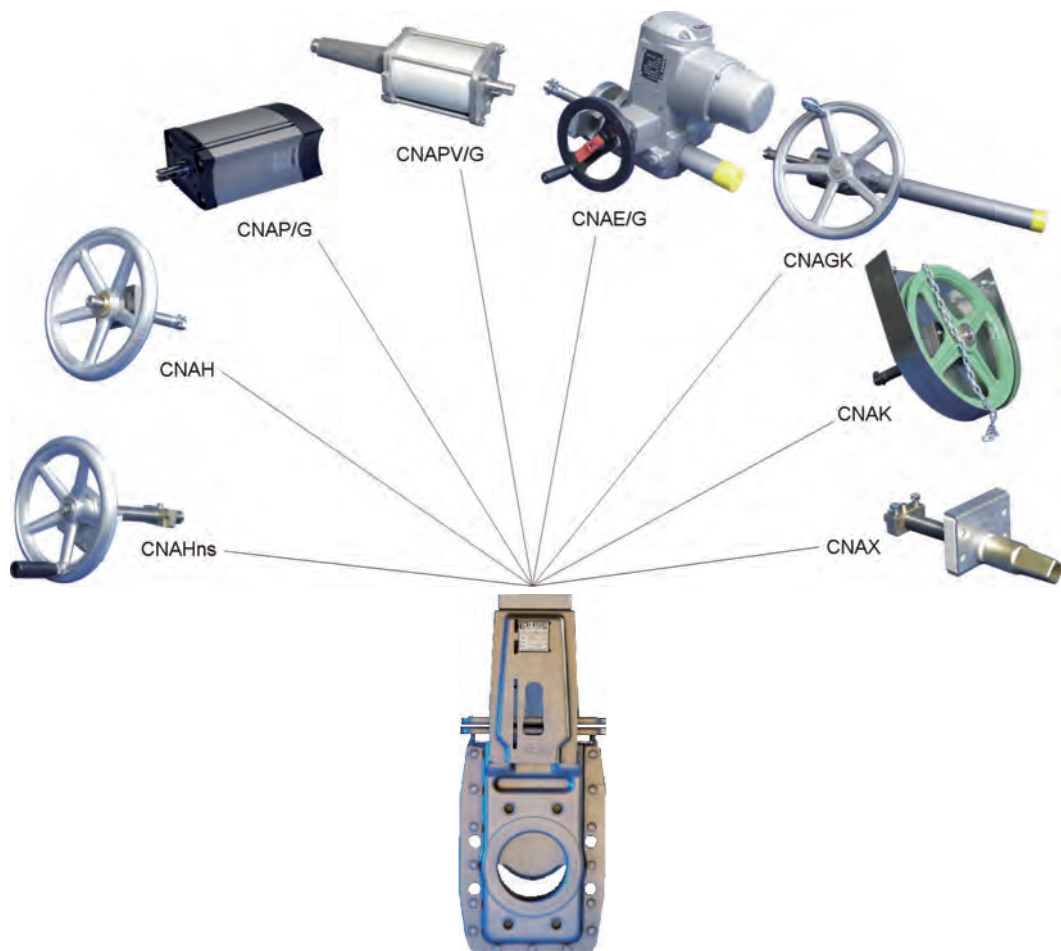
This facility is called the **LOHSE modular system** which offers the following advantages:

- simplified and less expensive holding of spare parts.
- in case of damage, actuating elements can be replaced inexpensively.
- if any valve drives have to be altered, replacement is easy and quick

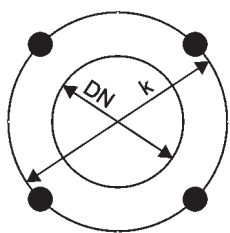
Protection guards (G)

According to machinery directive 2006/42/EG guards are compulsory to shield all moving parts on automated gate valves.

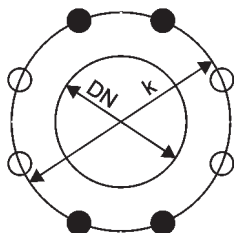
Protection guard of stainless steel.



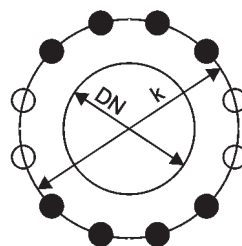
Flange bores for LOHSE COMPACT-valves according to DIN EN 1092-1, PN 10



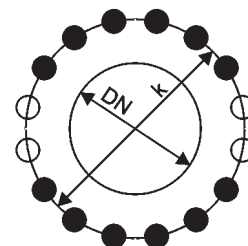
DN 50-65



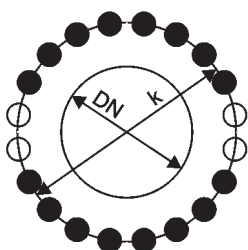
DN 80-200



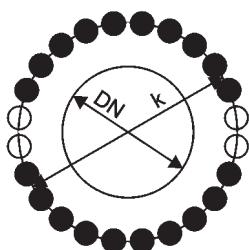
DN 250-300



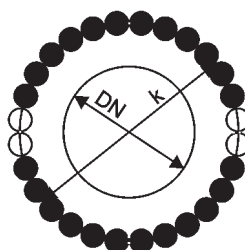
DN 350-400



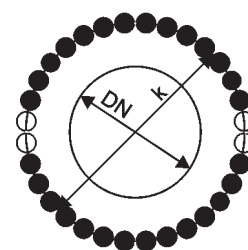
DN 450-600



DN 700-800

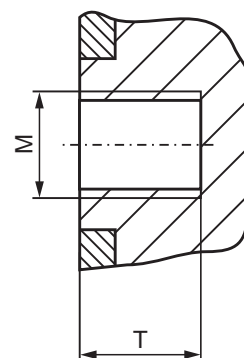


DN 900-1000



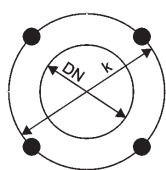
DN 1100-1200

DN [mm]	K [mm]	Z	M	T [mm]	Z1	Z2
50	125	4	M16	12	4	-
65	145	4	M16	12	4	-
80	160	8	M16	12	4	4
100	180	8	M16	12	4	4
125	210	8	M16	12	4	4
150	240	8	M20	16	4	4
200	295	8	M20	16	4	4
250	350	12	M20	20	8	4
300	400	12	M20	20	8	4
350	460	16	M20	20	12	4
400	515	16	M24	23	12	4
450	565	20	M24	30	16	4
500	620	20	M24	30	16	4
600	725	20	M27	35	16	4
700	840	24	M27	40	20	4
800	950	24	M30	45	20	4
900	1050	28	M30	45	24	4
1000	1160	28	M33	45	24	4
1100	1270	32	M33	50	28	4
1200	1380	32	M36	55	28	4

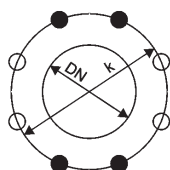


Z = total number of holes
 Z1 = number of joint-holes
 Z2 = number of through-going bores
 T = usable depth of thread

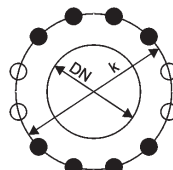
Flange bores for LOHSE COMPACT-valves
according to ANSI B 16.5 Class 150 (≥ DN 700: ANSI B 16.47 Class 150)



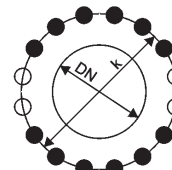
DN 50-80



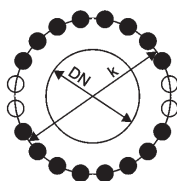
DN 100-200



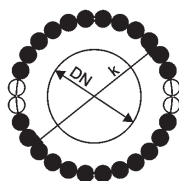
DN 250-350



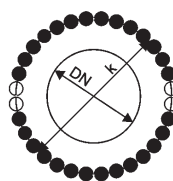
DN 400-450



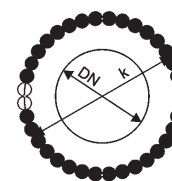
DN 500-600



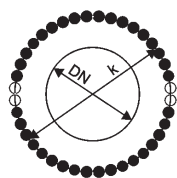
DN 700-800



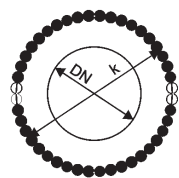
DN 900



DN 1000

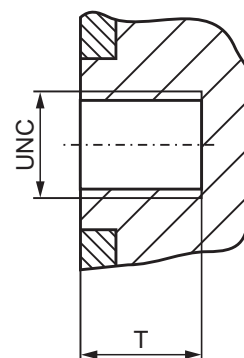


DN 1100



DN 1200

DN [mm]	DN [inch]	K [mm]	K [inch]	Z	UNC	T [mm]	T [inch]	Z1	Z2
50	2	120.6	4 3/4	4	5/8"-11	12	0.472	4	-
65	2.5	139.7	5 1/2	4	5/8"-11	12	0.472	4	-
80	3	152.4	6	4	5/8"-11	12	0.472	4	-
100	4	190.5	7 1/2	8	5/8"-11	12	0.472	4	4
125	5	215.9	8 1/2	8	3/4"-10	12	0.472	4	4
150	6	241.3	9 1/2	8	3/4"-10	16	0.630	4	4
200	8	298.5	11 3/4	8	3/4"-10	16	0.630	4	4
250	10	362	14 1/4	12	7/8"-9	20	0.787	8	4
300	12	431.8	17	12	7/8"-9	20	0.787	8	4
350	14	476.3	18 3/4	12	1"-8	20	0.787	8	4
400	16	539.8	21 1/4	16	1"-8	23	0.910	12	4
450	18	577.9	22 3/4	16	1 1/8"-7	30	1.181	12	4
500	20	635	25	20	1 1/8"-7	30	1.181	16	4
600	24	749.3	29 1/2	20	1 1/4"-7	35	1.378	16	4
700	28	863	34	28	1 1/4"-7	40	1.575	24	4
800	32	978	38 1/2	28	1 1/2"-6	45	1.772	24	4
900	36	1086	42 3/4	32	1 1/2"-6	45	1.772	28	4
1000	40	1200	47 1/4	36	1 1/2"-6	45	1.775	32	4
1100	44	1314	51 3/4	40	1 1/2"-6	50	1.969	36	4
1200	48	1422	56	44	1 1/2"-6	55	2.165	40	4



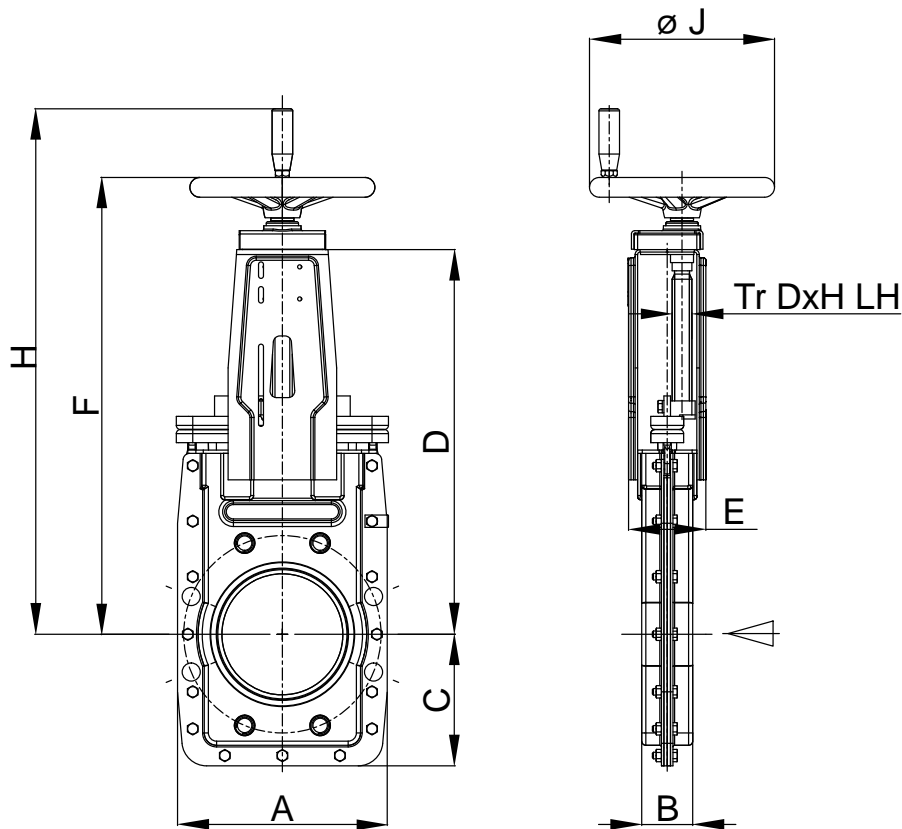
Z = total number of holes
 Z1 = number of joint-holes
 Z2 = number of through-going bores
 T = usable depth of thread

Pressure ranges

DN	standard		options	
	flange connection *)	operating pressure [bar]	flange connection *)	operating pressure [bar]
50	PN 10	10	PN 16-25-40	40
65				
80				
100				
125				
150				
200		PN 16-25	25	
250				
300				
350				
400				
450				
500		PN 16	16	
600				
700				
800				
		4	PN 10	10
		3		

*) Flange connection acc. to DIN EN 1092-1, PN...
Other sizes on request.

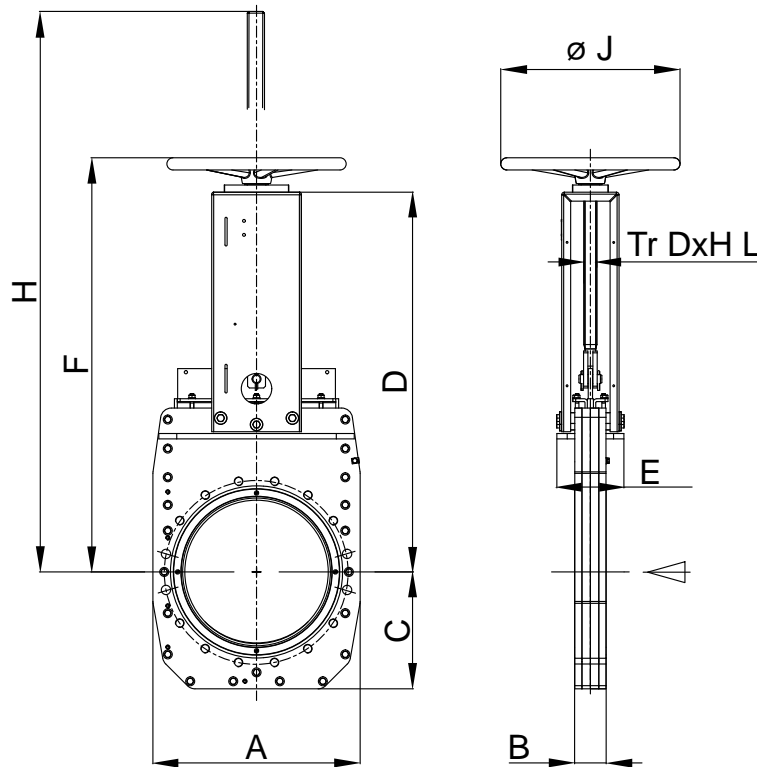
COMPACT-valve handwheel drive with non-rising stem



DN	PS [bar]	A	B	C	D	E	F	H	Ø J	Tr D x H LH	weight ~[kg]
50	10	185	42	100	313	78	394	478	180	20 x 4	9
65	10	185	42	100	313	78	394	478	180	20 x 4	9
80	10	175	52	125	313	78	395	478	180	20 x 4	9
*)100	10	210	54	135	368	94	456	539	225	24 x 5	13
*)125	10	230	52	145	413	94	500	584	225	24 x 5	15
*)150	10	255	62	160	468	94	556	639	225	24 x 5	18
200	10	328	60	189	557	143	656	739	280	30 x 6	39
250	10	400	68	230	668	166	767	850	280	30 x 6	55
300	6	450	72	260	764	170	869	-	360	30 x 6	68
350	6	510	72	290	907	190	998	-	360	30 x 6	130
400	6	575	90	326	1059	190	1163	-	500	30 x 6	180
450	6	630	110	315	1200	208	1304	-	500	30 x 6	262
500	6	700	110	350	1265	228	1384	-	500	36 x 6	263
600	4	810	130	405	1495	268	1614	-	500	36 x 6	

*) Opening DN - 3mm, full opening on request.
Dimensions in mm, flange dimensions to DIN EN 1092-1, PN 10 or ANSI B 16.5 Class 150 (≥ DN 700: ANSI B 16.47 Class 150).
Further sizes on request.

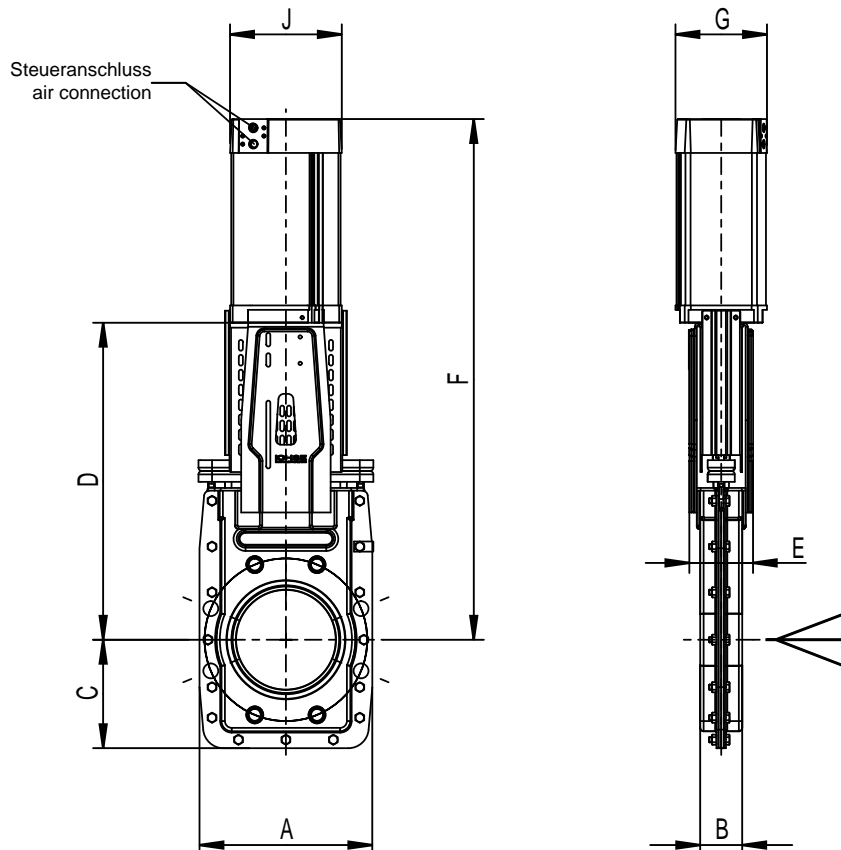
COMPACT-valve handwheel drive with rising stem



DN	PS [bar]	A	B	C	D	E	F	H	Ø J	Tr D x H L	weight ~[kg]
50	10	185	42	100	313	78	378	425	225	20 x 4	8.3
65	10	185	42	100	313	78	378	440	225	20 x 4	8.8
80	10	175	52	125	313	78	378	455	225	20 x 4	9.1
*)100	10	210	54	135	368	94	437	540	280	24 x 5	13.5
*)125	10	230	52	145	413	94	482	610	280	24 x 5	15.3
*)150	10	255	62	160	468	94	537	690	280	24 x 5	18.4
200	10	328	60	189	557	143	637	840	360	30 x 6	39
250	10	400	68	230	668	166	748	995	360	30 x 6	55
300	6	450	72	260	764	170	844	1145	360	30 x 6	93
350	6	510	72	290	907	190	1003	1355	500	36 x 6	101
400	6	575	90	326	1059	190	1155	1555	500	36 x 6	174
450	6	630	110	315	1200	208	1296	1760	500	36 x 6	258
500	6	700	110	350	1265	228	1361	1975	500	36 x 6	263
600	4	810	130	405	1495	268	1591	2205	640	44 x 7	472
700	3	960	151	480	1756	307	1887	2610	800	44 x 7	1060
800	3	1060	151	530	1976	446	2107	2930	800	44 x 7	1262

*) Opening DN - 3mm, full opening on request.
Dimensions in mm, flange dimensions to DIN EN 1092-1, PN 10 or ANSI B 16.5 Class 150 (≥ DN 700: ANSI B 16.47 Class 150).
Further sizes on request.

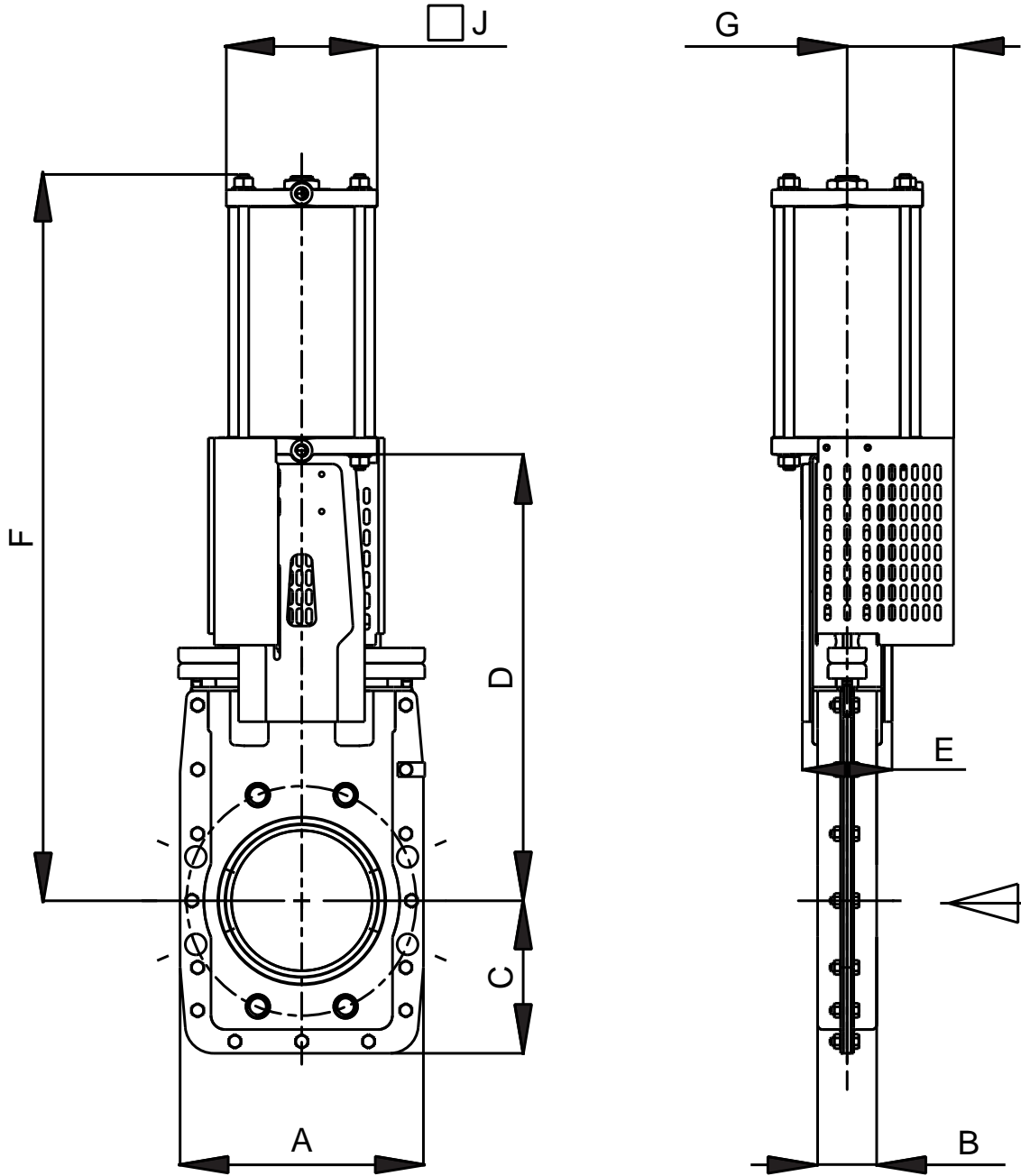
COMPACT-valve
pneumatic cylinder and protection guard



DN	PS [bar]	A	B	C	D	E	F	G	J	cyl Ø	air connection	control pressure [bar]	weight ~[kg]
50	10	185	42	100	313	78	495	118	139	100	G 1/4"	6	11.2
65	10	185	42	100	313	78	510	118	139	100	G 1/4"	6	11.6
80	10	175	52	123	313	78	523	118	139	100	G 1/4"	6	12.6
*)100	10	210	54	135	368	94	596	118	139	100	G 1/4"	6	15.4
*)125	10	255	52	145	413	94	691	145	162	125	G 1/4"	6	21.4
*)150	10	255	62	160	468	94	768	145	165	125	G 1/4"	6	25.3
200	10	328	60	190	557	143	917	178	204	160	G 1/4"	6	48.5
250	10	400	68	230	668	166	1069	178	204	160	G 1/4"	6	66.5
300	6	450	72	260	764	170	1218	178	204	160	G 1/4"	6	92
350	6	510	72	290	907	190	1452	215	244	200	G 1/2"	6	120
400	6	575	90	326	1059	190	1650	215	244	200	G 1/2"	6	207
450	6	630	110	315	1200	208	1870	242	283	230	G 1/2"	6	310
500	6	700	110	350	1265	228	1985	242	283	230	G 1/2"	6	350

*) Opening DN - 3mm, full opening on request.
Dimensions in mm, flange dimensions to DIN EN 1092-1, PN 10 or ANSI B 16.5 Class 150 (≥ DN 700: ANSI B 16.47 Class 150).
Further sizes on request.

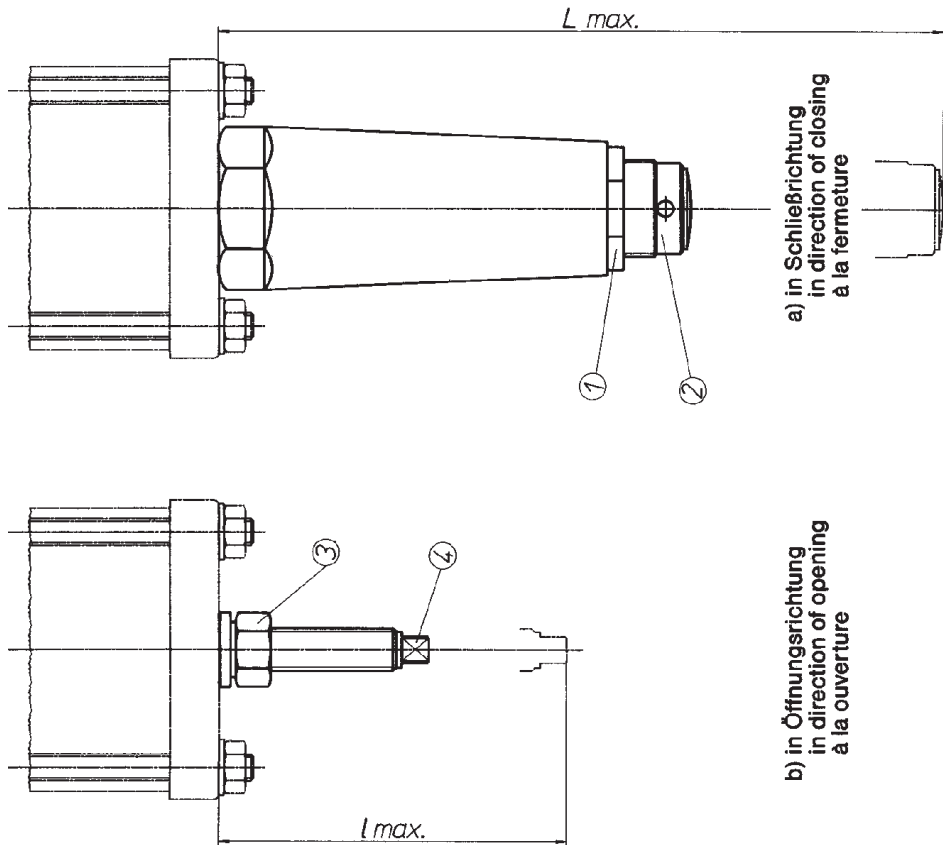
COMPACT-valve
pneumatic cylinder and protection guard



DN	PS [bar]	A	B	C	D	E	F	G	J	cyl Ø	air connection	control pressure [bar]	weight ~[kg]
600	4	810	130	405	1495	268	2314	318	318	300	G 1/2"	6	517
700	3	960	151	480	1756	307	2745	425	425	400	G 3/4"	6	1220
800	3	1060	151	530	1976	446	3065	425	425	400	G 3/4"	6	1340

Dimensions in mm, flange dimensions to DIN EN 1092-1, PN 10 or ANSI B 16.5 Class 150 (≥ DN 700: ANSI B 16.47 Class 150). Further sizes on request.

COMPACT-valve
pneumatic-cylinder and variable stroke limiter



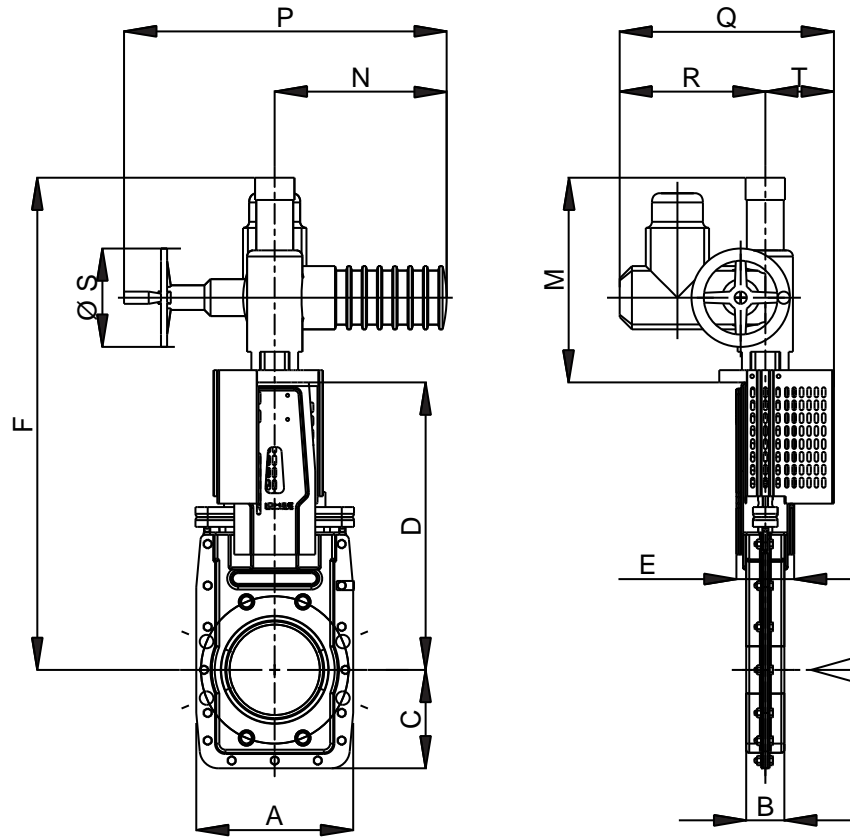
Variable stroke limiter

- in direction of closing: loosen the nut (1), adjust the adjustable pipe (2), tighten the nut (1)
- in direction of opening: loosen the nut (3), adjust the adjustable screw (4) tighten the nut

DN	cyl.Ø [mm]	in direction of opening		in direction of closing	
		L max ~	L max ~	L max ~	L max ~
50	100	140		268	
65	100	140		268	
80	100	140		268	
100	125	190		413	
125	125	190		413	
150	145	225		428	
200	175	252		550	

Further sizes on request.

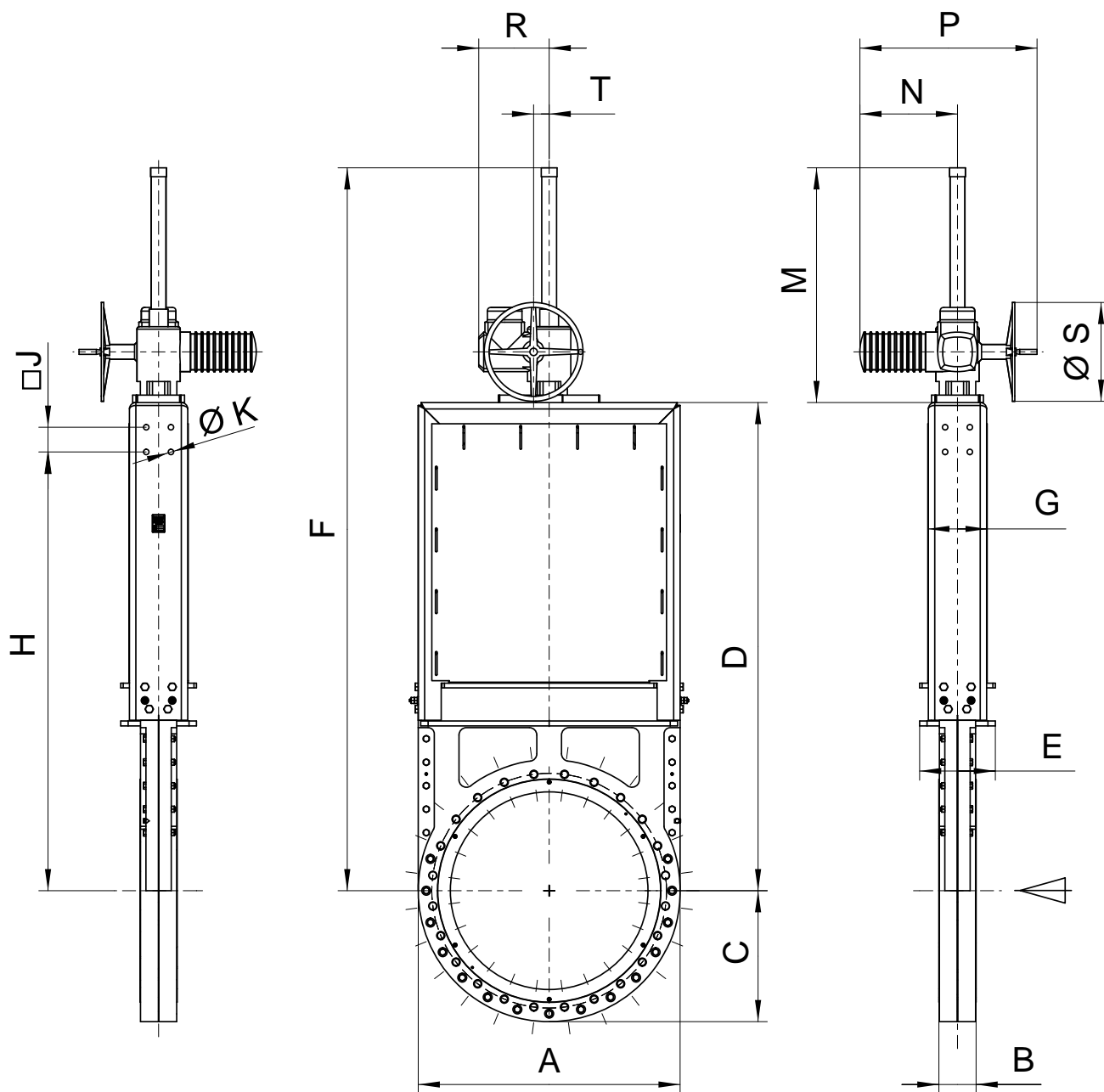
COMPACT-valve
electric drive and protection guard



DN	PS [bar]	A	B	C	D	E	F	M	N	P	Q	R	ØS	T	stem Tr DxH	closing time [s]	weight ~[kg]
50	10	185	42	100	313	78	646	333	280	515	349	237	160	112	20 x 4	18.7	32
65	10	185	42	100	313	78	646	333	280	515	349	237	160	112	20 x 4	24.4	32
80	10	175	52	125	313	78	646	333	280	515	349	237	160	112	20 x 4	29.7	32
*)100	10	210	54	135	368	94	701	333	280	515	349	237	160	112	24 x 5	28.3	37
*)125	10	230	52	145	413	94	746	333	280	515	349	237	160	112	24 x 5	35.2	38
*)150	10	255	62	160	468	94	801	333	280	515	349	237	160	112	24 x 5	41.6	42
200	10	328	60	190	557	143	902	345	355	536	373	247	200	126	30 x 6	46.7	58
250	10	400	68	230	668	166	1013	345	355	536	373	247	200	126	30 x 6	57.8	84
300	6	450	72	260	764	170	1202	438	355	536	373	247	200	126	30 x 6	68.9	96
350	6	510	72	290	907	190	1350	443	355	536	389	247	200	142	36 x 6	78.0	124
400	6	575	90	326	1059	190	1602	543	355	536	393	247	200	146	36 x 6	90.0	198
450	6	630	110	315	1200	208	1808	560	355	536	436	247	200	151	36 x 6	101.0	291
500	6	700	110	350	1265	228	1873	608	380	713	436	285	315	151	36 x 6	112.0	328
600	4	810	130	405	1495	268	2203	708	380	713	446	285	315	161	44 x 7	83.0	527

*) Opening DN - 3mm, full opening on request.
Dimensions in mm, flange dimensions to DIN EN 1092-1, PN 10 or ANSI B 16.5 Class 150 (≥ DN 700: ANSI B 16.47 Class 150).
Further sizes on request.

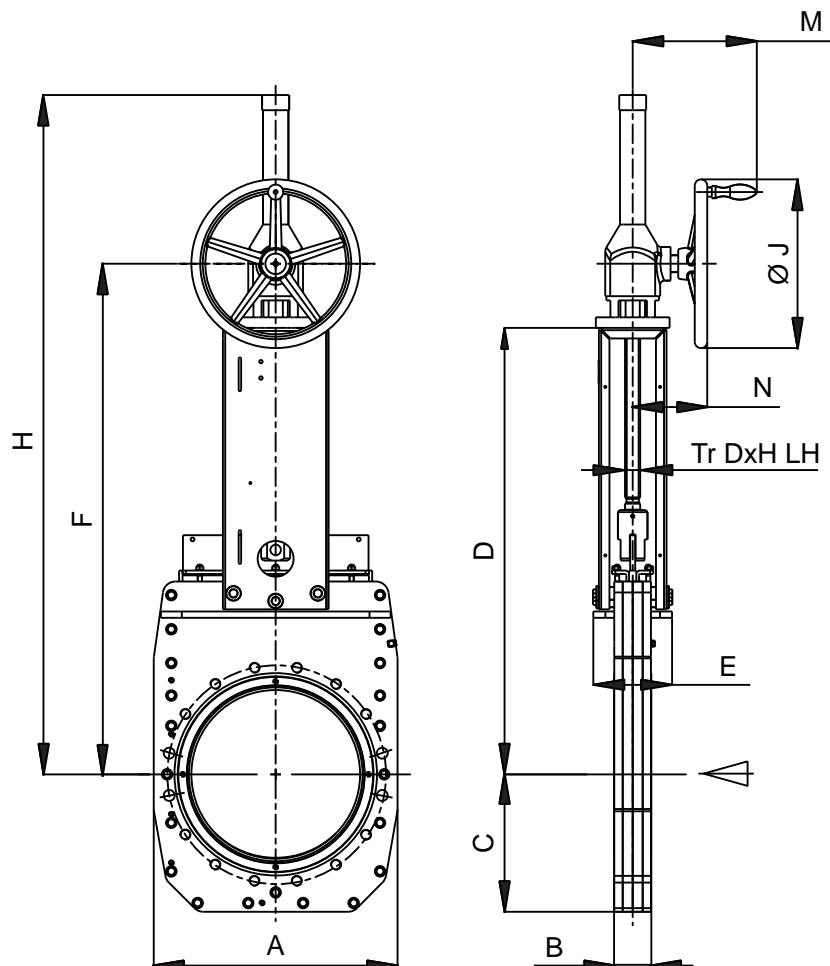
COMPACT-valve
electric drive and protection guard



DN	PS [bar]	A	B	C	D	E	F	G	H	J	ØK	M	N	P	R	ØS	T	stem Tr DxH	closing time [s]	weight ~[kg]
700	3	960	151	480	1756	307	2606	240	1550	100	22	850	395	717	285	400	63	44 x 7	96.6	1099
800	3	1060	151	530	1976	446	2926	240	1776	100	22	950	395	717	285	400	63	44 x 7	110.2	1285
900	3	1170	160	585	2108	311	3253	240	1790	100	22	1145	510	860	330	500	80	44 x 7	108.9	1536
1000	3	1260	170	630	2470	311	3720	264	2170	100	22	1250	510	860	330	500	80	48 x 8	122.7	2125

Dimensions in mm, flange dimensions to DIN EN 1092-1, PN 10 or ANSI B 16.5 Class 150 (≥ DN 700: ANSI B 16.47 Class 150).
Further sizes on request.

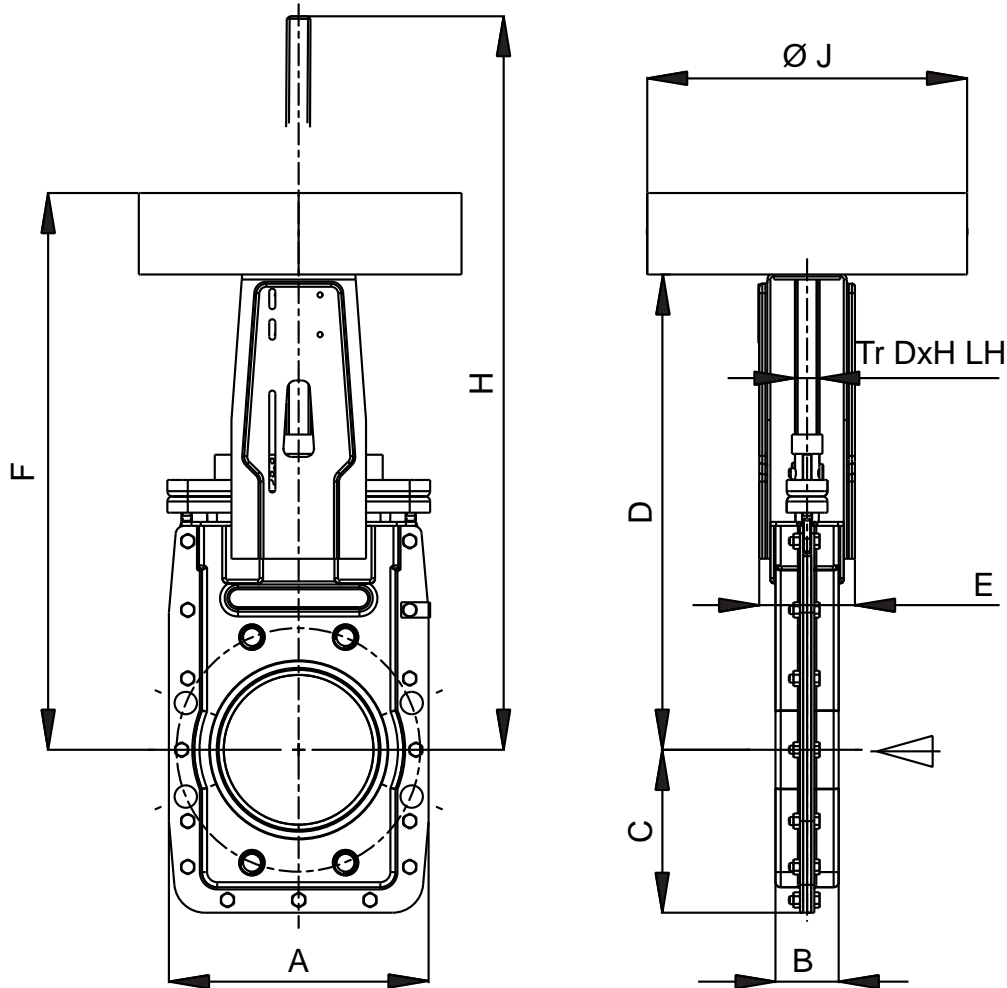
COMPACT-valve
bevel gear box and handwheel



DN	PS [bar]	A	B	C	D	E	F	H	Ø J	M	N	Tr D x H LH	weight ~[kg]
*)150	10	225	62	160	468	94	615	770	360	278	174	24 x 5	33
200	10	328	60	190	557	143	704	909	360	278	174	30 x 6	55
250	10	400	68	230	668	166	815	1070	360	278	174	30 x 6	72
300	6	450	72	260	764	170	911	1216	360	278	174	30 x 6	82
350	6	520	72	290	907	190	1059	1414	400	295	185	36 x 6	146
400	6	578	90	326	1059	190	1211	1611	400	295	185	36 x 6	191
450	6	630	110	315	1200	208	1352	1802	400	295	185	36 x 6	274
500	6	700	110	350	1265	228	1455	1947	400	340	222	36 x 6	327
600	4	810	130	405	1495	268	1685	2250	500	340	222	44 x 7	503
700	3	960	151	480	1756	307	1946	2422	500	340	222	44 x 7	1075
800	3	1060	151	530	1976	446	2166	2927	500	340	222	44 x 7	1265

*) Opening DN - 3mm, full opening on request.
Dimensions in mm, flange dimensions to DIN EN 1092-1, PN 10 or ANSI B 16.5 Class 150 (≥ DN 700: ANSI B 16.47 Class 150).
Further sizes on request.

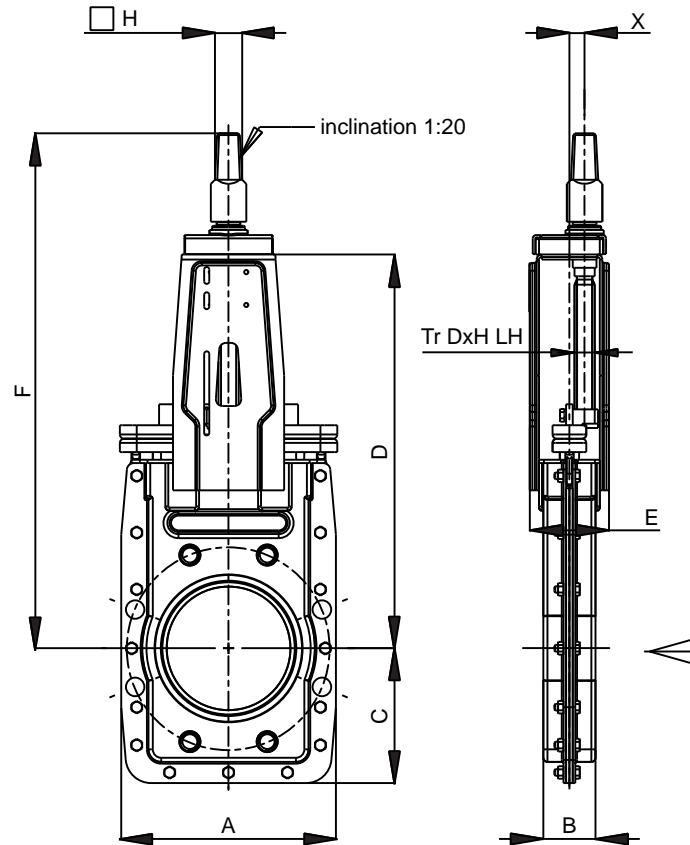
COMPACT-valve
sprocket drive



DN	PS [bar]	A	B	C	D	E	F	H	Ø J	Tr D x H LH	weight ~[kg]
50	10	185	42	100	313	78	394	397	274	20 x 4	14
65	10	185	42	100	313	78	394	412	274	20 x 4	14
80	10	175	52	125	313	78	394	437	274	20 x 4	14
*)100	10	210	54	135	368	94	447	520	314	24 x 5	18
*)125	10	230	52	145	413	94	492	595	314	24 x 5	21
*)150	10	255	62	160	468	94	547	665	314	24 x 5	25
200	10	328	60	190	557	143	636	821	394	30 x 6	50
250	10	400	68	230	668	166	747	981	394	30 x 6	66
300	6	450	72	260	764	170	843	1131	394	30 x 6	87
350	6	510	72	290	907	190	1000	1350	516	36 x 6	113
400	6	575	90	326	1059	190	1152	1550	516	36 x 6	198

*) Opening DN - 3mm, full opening on request.
Dimensions in mm, flange dimensions to DIN EN 1092-1, PN 10 or ANSI B 16.5 Class 150 (≥ DN 700: ANSI B 16.47 Class 150).
Further sizes on request.

COMPACT-valve square head



DN	PS [bar]	A	B	C	D	E	F	H	X	Tr D x H LH	weight ~[kg]
50	10	185	42	100	313	78	455	32	15	20 x 4	9
65	10	185	42	100	313	78	455	32	15	20 x 4	10
80	10	175	52	125	313	78	456	32	15	20 x 4	10
*)100	10	210	54	135	368	94	512	32	18	24 x 5	12
*)125	10	230	52	145	413	94	557	32	18	24 x 5	15
*)150	10	255	62	160	468	94	612	32	18	24 x 5	18
200	10	328	60	190	557	143	707	32	22	30 x 6	38
250	10	400	68	230	668	166	818	32	22	30 x 6	51
300	6	450	72	260	764	170	914	32	22	30 x 6	67
350	6	510	72	290	907	190	1043	32	26	36 x 6	96
400	6	575	90	326	1059	190	1195	32	26	36 x 6	136
450	6	630	110	315	1200	208	1336	32	28.5	36 x 6	261
500	6	700	110	350	1265	228	1416	32	35	36 x 6	311
600	4	810	130	405	1495	268	1646	32	35	44 x 7	468

*) Opening DN - 3mm, full opening on request.
 Dimensions in mm, flange dimensions to DIN EN 1092-1, PN 10 or ANSI B 16.5 Class 150 (≥ DN 700: ANSI B 16.47 Class 150).
 Further sizes on request.

Germany + Switzerland

MARTIN LOHSE GmbH
Unteres Paradies 63
89522 Heidenheim
Phone: +49 7321 755-0
sales@lohse-gmbh.de
www.lohse-gmbh.de

Australia, New Zealand, Indonesia, Singapore, Malaysia

P.T. VOITH PAPER
Jl. Permata V Lot EE - 1
Kawasan Industri KIIC
Karawang 41361, INDONESIA
Phone : +62 267 419 719
Fax : +62 267 419 717

Austria (Papier- + Zellstoffindustrie, Abwasser + Kläranlagen) + CZ, SK, SLO, SRB, HR, H

Peter Rejter
Handel Mazzetti-Str. 85
3100 St. Pölten
Phone: +43 2742 77366
Fax: +43 2742 77366
office@industriearmaturen.at

Austria

Klinger Gebetsroither GmbH & Co KG

Am Kanal 8-10
2352 Gumpoldskirchen
Phone: +43 2252 60 71 00 3029
Fax: +43 2252 60 71 00 3010
gerhard.praxmarer@gebetsroither.at
www.gebetsroither.at

Belgium

Hanwel Belgium N.V.
Winninglaan 15
9140 Temse
Phone: +32 3 7110353
Fax: + 32 3 7110579
info@hanwel.be
www.hanwel.be

Chile

INTERTECH
Prat 116, Of 31
Curicó, Chile
phone +56.075.322033
www.inter-tech.cl
n.flores@inter-tech.cl

People's Rep. Of China

Shanghai Fier Mechanical Co. LTD
Room B4, 15/F HuaFu Bldg.
No. 585 LongHua xi Rd.
ShangHai, China 200232
Phone: +86 21 54591038
Fax: +86 21 54240616
MP: 13611665381
shfier@163.com
www.fier.com.cn

Denmark

Uni-Valve A/S
Sydvestvej 138 – 140
2600 Glostrup
Phone: +45 43 438200
Fax: +45 43 437475
mail@uni-valve.com
www.uni-valve.com

Finland

KLINGER Finland Oy
Tinankuja 3
02430 Masala
Phone: +358 10 4001011
info@klinger.fi
www.klinger.fi

France, MA, TN, DZ

T.N.P.
30 Boussegré
58140 Lormes
Phone: +33 1 559711-11
Fax: +33 1 48835207
contact@tnp.fr
www.tnp.fr

Great Britain

Voith Turbo Ltd.
6 Beddington Farm Road
Croydon, Surrey CRO, 4XB
Phone: +44 208 6673013
Fax: +44 208 6670403
matthew.healy@voith.com

Greece

Niko Mikopoulos, BSc.
Metron Str. 28
17123 Nea Smyrni-Athens
Phone: +30 6 98 305 10 70
n.mikopoulos@nm-bc.com

India

Antrieb Technik Private Limited
59 (old 359) Sidco Industrial Estate
Ambattur
Chennai-600 098
Tamilnadu / INDIA
Phone: +91 44 262-58303
Fax: +91 44 2819-3718
antrieb.technik@gmail.com

Israel

P.B.A Wiesner Agencies Ltd.
P. O. Box 4622
Petach-Tikva 49277
Phone: +972 3 9052111
Fax: +972 3 9052110
ofra@pba.co.il

Italy

Techno Paper S.R.L.
Viale Certosa 269
20151 Milano (MI)
Phone: +39 02 78627750
Fax: +39 02 45471638
info@techno-paper.com
www.techno-paper.com

Japan

Voith IHI Paper Technology Co.Ltd.
River City M-SQUARE 7F
2-1-6 Tsukuda, Chuo-ku
1040051 Tokyo
Phone: +81 3 6221 3108
Fax: +81 3 6221 3126

Korea

C.S-Automation Co., Ltd. (Customer Satisfaction Automation)
#804 Sejung Technovalley
279-5 Songjeong-Dong
Heungdeok-Gu
Cheongju-Si
South Korea. 361-290
Phone: +82 43 276 1332
Fax: +82 43 278 1332
changseol@korea.com

Netherlands

Hanwel B. V.
Jan Tinbergenstraat 209
7559 SP Hengelo
The Netherlands
Phone: +31 74 2650000
Fax: +31 74 2650001
verkoop@hanwel.com
www.hanwel.com

Norway

KSB Norge AS
Holtbråtveien 69
1449 Drøbak
Phone: +47 917 19995
firmapost@ksb.com
www.ksb.com/en-no

Philippines

R. Dan and Co., Inc.
Lot 6-9 Block 5 Greenway Business
Park
Bulihan, Silang,
Cavite Philippines 4118
Phone: +63 960 690 0244
ester.poe@robertdan.com.ph
www.robertdan.com.ph

Poland

Waldemar Kulicki
ul. Heweliusza 37/4
87-148 Papowo Toruńskie
Phone: +48 509 46 64 25
waldemar-kulicki@wp.pl
www.wkulicki.eu

Rep. of South Africa

Voith Turbo (Pty) Ltd
P.O. Box 13171
Witfield, 1467
Gauteng, SOUTH AFRICA
Phone: +27 11 418 4000
Fax: +27 11 418 4080
info.vtza@voith.com
www.rsa.voithturbo.com

Spain, Portugal

CELPAP EQUIPOS, S.L.
C/Amposta, 14-18
08174 Sant Cugat del Vallés
(Barcelona)
Phone +34 93 415 18 75
celpap@celpap.com
www.celpap.com

Sweden

PA-Ventiler AB
Sagbäcksvägen 3B
43736 Lindome
Phone: +46 31 992500
Fax: +46 31 992503
info@paventiler.se
www.paventiler.se

Switzerland

dampfEXPERTE GmbH
Häsiweg 33
5018 Erlinsbach
Phone: +41 62 5448090
roger.fehr@dampfexperte.ch
www.dampfexperte.ch

Taiwan

E-Chen Engineering Co., Ltd.
3F-3, No. 151, Sec. 4,
Hsin-Yi Road,
Taipei, Taiwan, R.O.C.
Phone: +886 22 7056185
Fax: +886 22 7045967
echen123@ms15.hinet.net

Thailand

Weston Myer Ltd.
8 Soi Seri-Thai 58
Seri-Thai Road
10510 Minburi Bangkok
Phone: +66 2 3745869
Fax: +66 2 375-1179
comm1@westonmyer.com

Turkey

Sanrep Kağıt San. ve Tic. Ltd. Şti.
Altiyol, Kuşdili Caddesi No:19/7
H.Fazlıoğlu İş Merkezi
34714 Kadıköy – İSTANBUL
Phone: +90 216 345 40 48
Fax: +90 216 330 73 12
sanrep@sanrep.com
www.sanrep.com

USA, Canada, Mexico

Voith Paper Inc.
2200 N. Roemer Rd.
Appleton, WI 54912-2237
Phone: +1 920 – 358 – 2396
Fax: +1 920 – 731 – 5126
VPAWSpareParts@voith.com